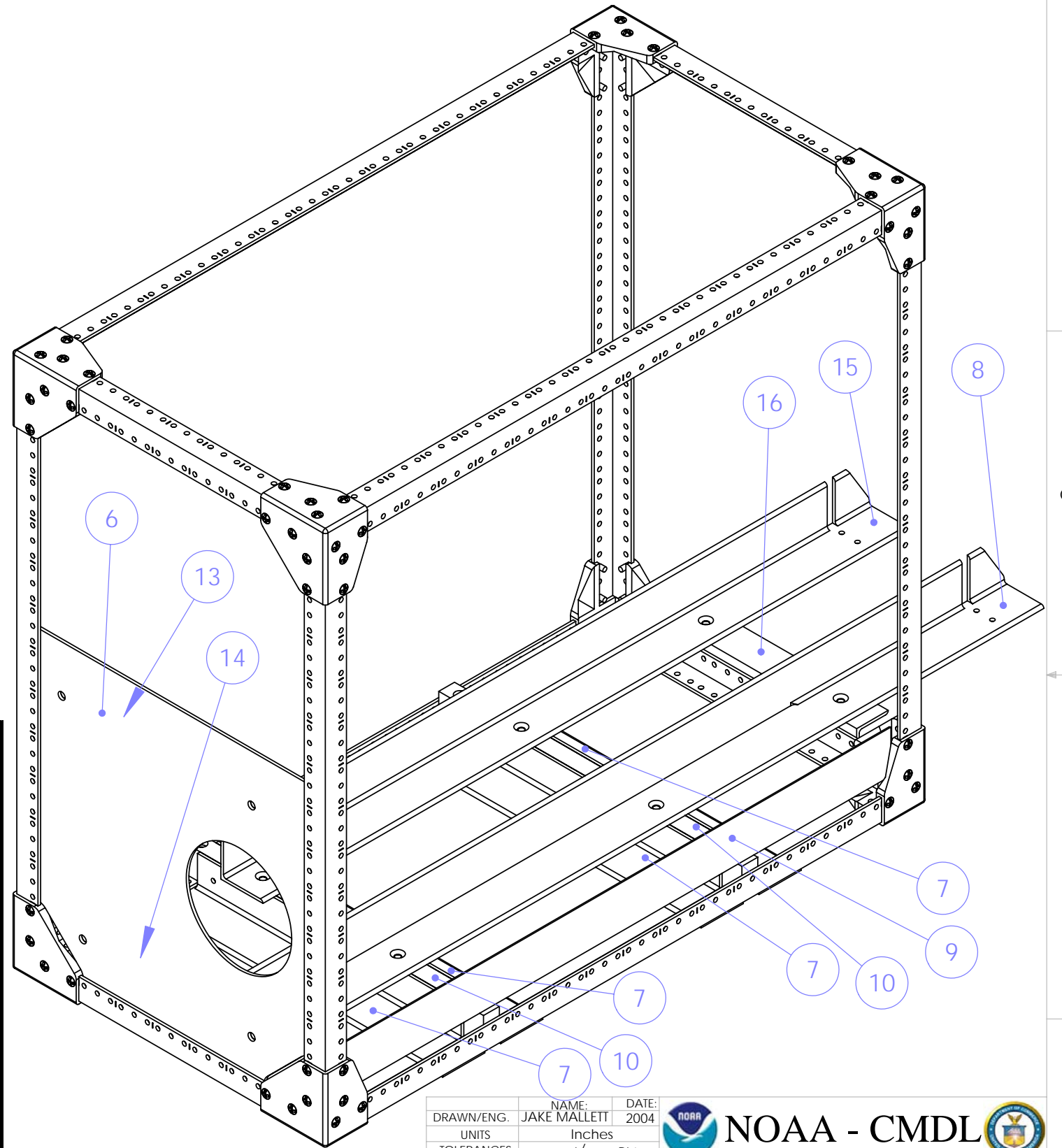


| ITEM NO. | QTY. | PART NO. | DESCRIPTION |
|----------|------|---|-------------|
| 1 | 8 | Corner Braket for steel frame | |
| 2 | 96 | oval head bolt # 10_32 | |
| 3 | 4 | 14U Rack Rail 28in_Length | |
| 4 | 4 | 11U Rack Rail 22 3_4in_Lenght | |
| 5 | 4 | 5U Rack Rail 12.25in_Length | |
| 6 | 1 | Front Optics Rack Neph. Alft Mounting Plate | |
| 7 | 4 | 2 x 2 x 1_8 2024T3 Air Caft Angle Alum. | |
| 8 | 1 | 2 x 2 x 1_8 2024T3 Air Craft Alum. Left | |
| 9 | 1 | 2 x 2 x 1_8 2024T3 Air Craft Alum. | |
| 10 | 2 | 1in x 1in x 14 3_8in 2024T3 Air Craft Alm. Bar | |
| 11 | 3 | Radiant Nephelometer | TSI |
| 12 | 1 | NEPHELOMETER 3563 | TSI |
| 13 | 1 | 1in x 3_8in x 10in - 2024T3 Stock Flat bar Alum [Top] | |
| 14 | 1 | 1in x 3_8in x 9in - 2024T3 Stock Flat bar Alum [Bottom] | |
| 15 | 1 | 2 x 2 x 1_8 2024T3 Air Craft Alum. (far Left) | |
| 16 | 1 | 1.5 x 1.5 x 1_8 2024T3 Air Caft Angle Alum. | |

| Aluminum 2024-T3 | | | | |
|--------------------------|----------------|------------------------|-------------------|------------------------|
| Description Type | Item Number(s) | Cross Section Dims. | QNTY. (x Length) | Minumum Length QTY. |
| Plate (Sheet Stock) | | t x W x L (inches) | | t x W x L (inches) |
| | 6 | 1/8 x 14 x 15 | 1 | |
| Total | | | | 1/8 x 14 x 16 |
| Angle (Angle Stock) | | t x W x H x L (inches) | | t x W x H x L (inches) |
| | 7 | 1/8 x 2 x 2 x 14.5 | 4 | |
| | 8 | 1/8 x 2 x 2 x 30.625 | 1 | |
| | 9 | 1/8 x 2 x 2 x 36.5 | 1 | |
| | 15 | 1/8 x 2 x 2 x 26 | 1 | |
| Total | | | | 1/8 x 2 x 2 x 151.125 |
| Total | 16 | 1/8 x 1.5 x 1.5 x 8.5 | 1 | 1/8 x 1.5 x 1.5 x 8.5 |
| Recatangular (Bar Stock) | | W x H x L (inches) | | W x H x L (inches) |
| | 10 | 1.5 x .75 x 14.375 | 2 | |
| Total | | | | 1.5 x .75 x 28.75 |
| | 13 | 3/8 x 1 x 9 | 1 | |
| | 14 | 3/8 x 1 x 10 | 1 | |
| | extra | 3/8 x 1 x 5 | 4 | |
| Total | | | | 3/8 x 1 x 39 |



| | | | |
|-------------|--------------|------------|--------|
| NAME: | JAKE MALLETT | DATE: | 2004 |
| DRAWN/ENG.: | JAKE MALLETT | UNITS: | Inches |
| TOLERANCES: | +/- | -Dist x.xx | |
| | +/- | -Angular | |
| MATERIALS: | MAT. FINISH: | QTY. | |
| N/A | N/A | x 1 | |
| N/A | N/A | x 1 | |
| N/A | N/A | x 1 | |
| N/A | N/A | x 1 | |

COMMENTS:
Radius - fill in the blanks here



TITLE:
Front Optics Rack

| | | |
|------------|----------|--------------|
| SIZE | DWG. NO. | REV |
| B | | |
| SCALE: 1:1 | | SHEET 1 OF 1 |

WEIGHT: