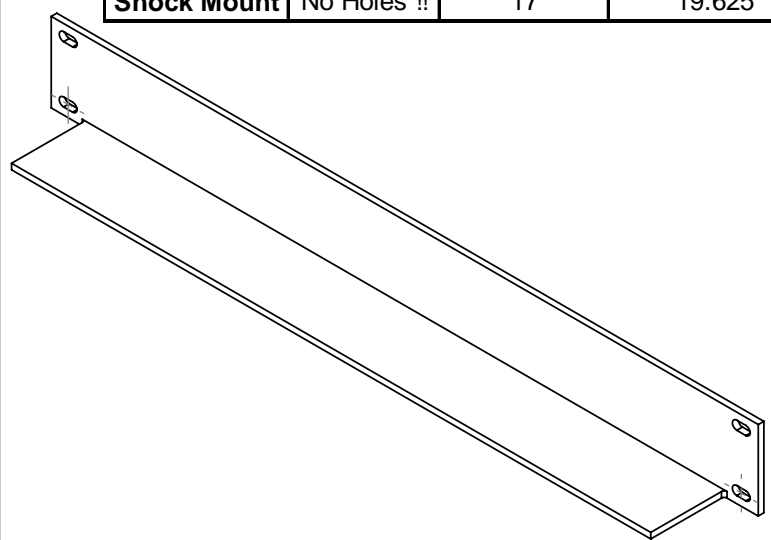
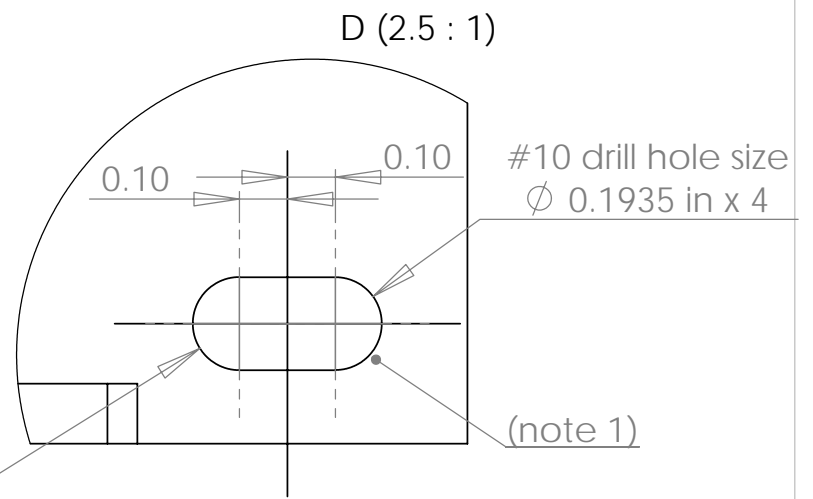




Useable Rack Frame Sizes	A [inches]	B [inches]	C - Total Length [inches]	Application	Quantity
4 U	11.375	10.625	12.125	C 206 - A	
5 U	13.125	12.375	13.875		
6 U	14.875	14.125	15.625	C 206 - B&C	
7 U	16.625	15.875	17.375		
8 U	18.375	17.625	19.125	Rack Cubes	
9 U	20.125	19.375	20.875		
10 U	21.875	21.125	22.625		
Shock Mount	No Holes !!	17	19.625	Shock Mount	



#10 drill hole size
 ϕ 0.1935in x 4

NAME	DATE
JAKE MALLET	2005
UNITS	inches
TOLERANCES	+/- 0.005
MATERIAL	Angle Aluminum
FINISH	None



TITLE:
 1 3/4 x 1 3/4 Aluminum
 Angle Bracket Inserts

COMMENTS	QUANTITY	x 1 - pair
Radius - .125 allowed (1) : Holes - 2 @ 0.2in apart on center x 2 symmetric about vertical ϕ & x 2 symmetric about horizontal ϕ of face		

SIZE	DWG. NO.	REV
A	1	
1:2		SHEET 1 OF 1