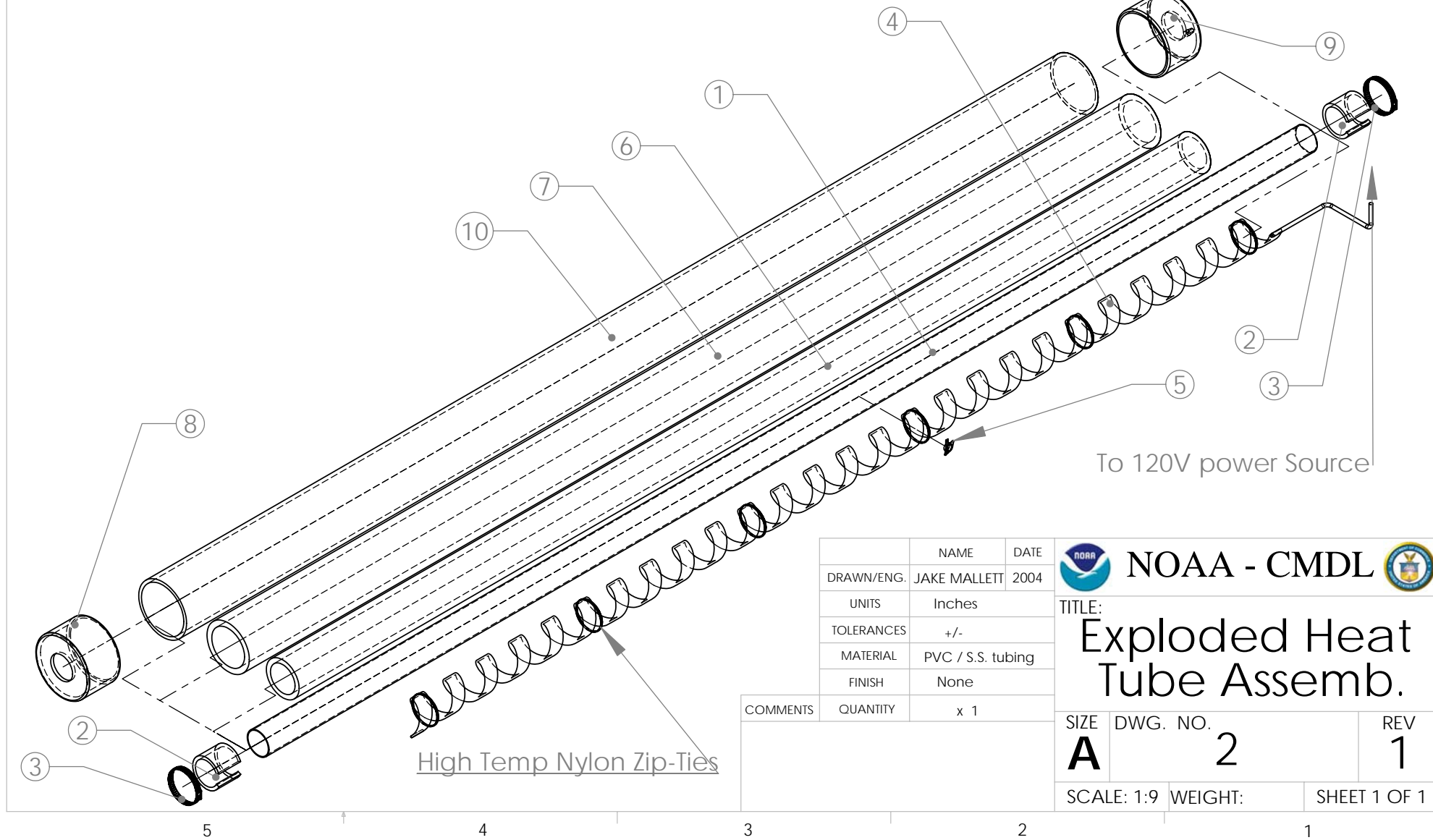


ITEM NO.	QTY.	PART NO.	MATERIAL	DESCRIPTION
1	1	2in OD Stainless Steel Tube 8ft long	2in OD x 96in Stainless Steel	Plished Finish
2	2	2in ID Collar	2in ID PVC x 2in	Axial Notched Side
3	2	Hose Clamp		
4	1	Heat Tape		
5	1	OA220F Thermal Cut Out Switch		Wire in Series w/ the positive 120V Power Supply lead
6	1	3in OD Fiber Glass Wrap Insulation		Wrapped Until Outside Diameter is about 3in
7	1	3in ID Foam Pipe Insulation		
8	1	4.375in OD Sewage GRD pipe Cap top	Sewage Grd 40 - 80	2in dia. Hole cut out for S.S. tube
9	1	4.375in OD Sewage GRD pipe Cap bottom	Sewage Grd 40 - 80	2in dia. & .5in Hole for S.S. tube & power cord
10	1	4.375in OD Sewage GRD pipe	Sewage Grd 40 - 80	83.5in length



	NAME	DATE
DRAWN/ENG.	JAKE MALLET	2004
UNITS	Inches	
TOLERANCES	+/-	
MATERIAL	PVC / S.S. tubing	
FINISH	None	
COMMENTS	QUANTITY	x 1

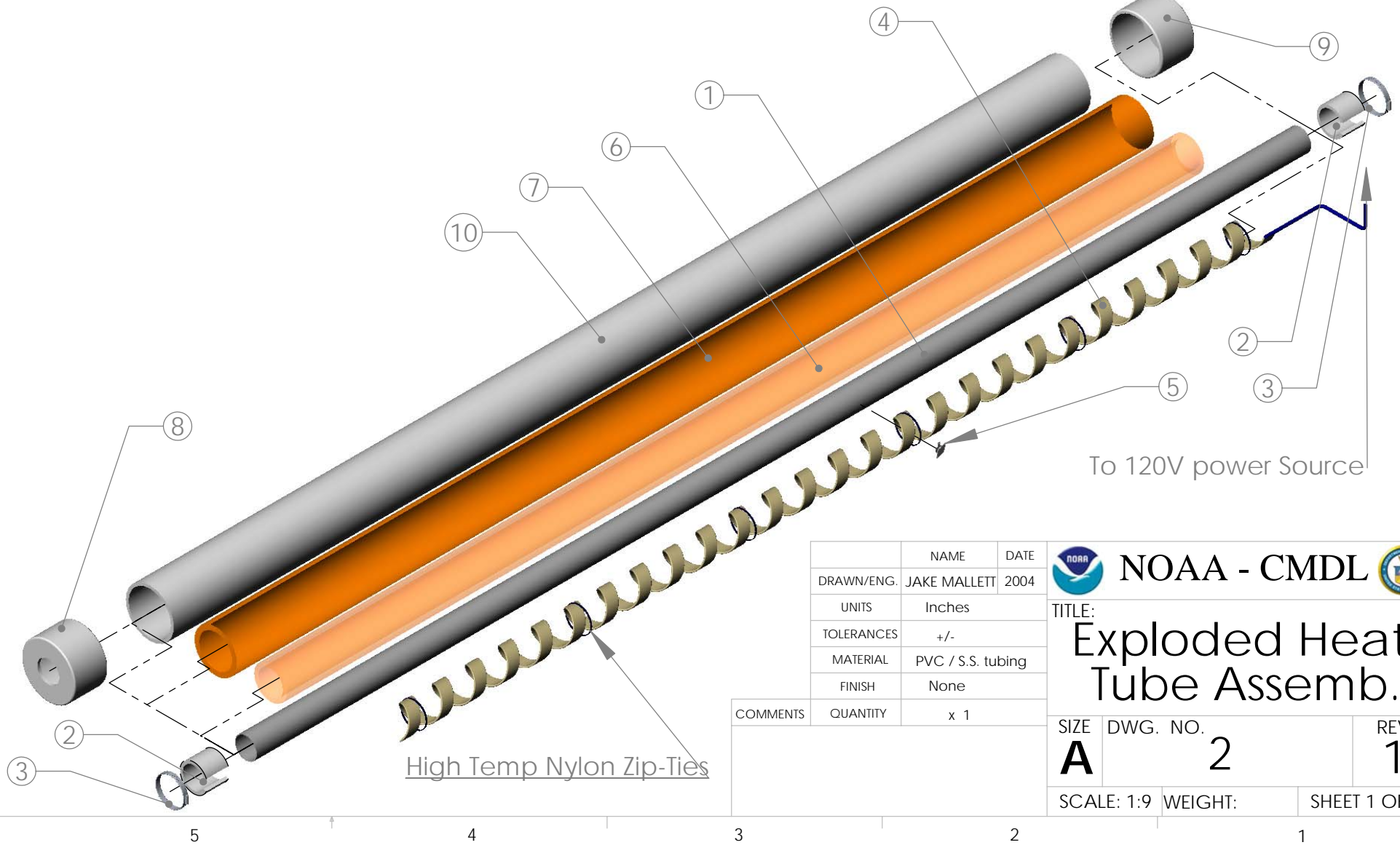
NOAA - CMDL

TITLE:
Exploded Heat Tube Assemb.

SIZE **A** DWG. NO. **2** REV **1**

SCALE: 1:9 WEIGHT: SHEET 1 OF 1

ITEM NO.	QTY.	PART NO.	MATERIAL	DESCRIPTION
1	1	2in OD Stainless Steel Tube 8ft long	2in OD x 96in Stainless Steel	Plished Finish
2	2	2in ID Collar	2in ID PVC x 2in	Axial Notched Side
3	2	Hose Clamp		
4	1	Heat Tape		
5	1	OA220F Thermal Cut Out Switch		Wire in Series w/ the positive 120V Power Supply lead
6	1	3in OD Fiber Glass Wrap Insulation		Wrapped Until Outside Diameter is about 3in
7	1	3in ID Foam Pipe Insulation		
8	1	4.375in OD Sewage GRD pipe Cap top	Sewage Grd 40 - 80	2in dia. Hole cut out for S.S. tube
9	1	4.375in OD Sewage GRD pipe Cap bottom	Sewage Grd 40 - 80	2in dia. & .5in Hole for S.S. tube & power cord
10	1	4.375in OD Sewage GRD pipe	Sewage Grd 40 - 80	83.5in length



	NAME	DATE
DRAWN/ENG.	JAKE MALLET	2004
UNITS	Inches	
TOLERANCES	+/-	
MATERIAL	PVC / S.S. tubing	
FINISH	None	
COMMENTS	QUANTITY	x 1

NOAA - CMDL

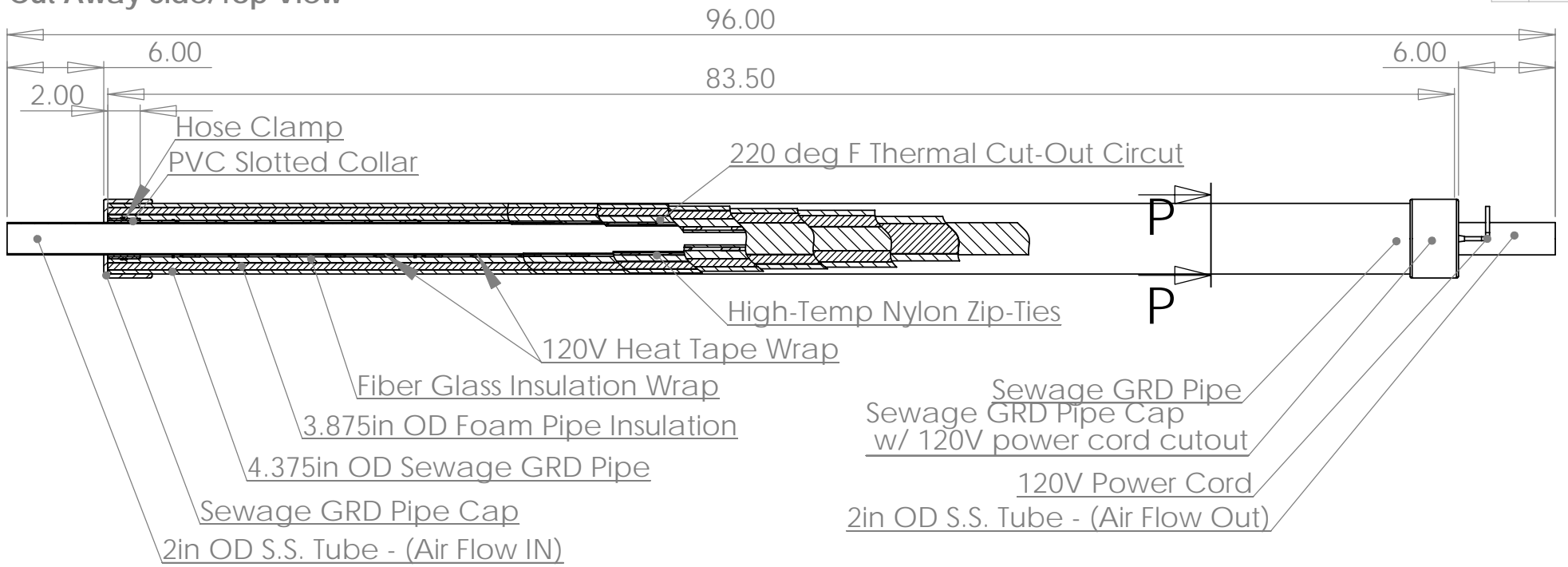
TITLE:
Exploded Heat Tube Assemb.

SIZE A	DWG. NO. 2	REV 1
------------------	----------------------	-----------------

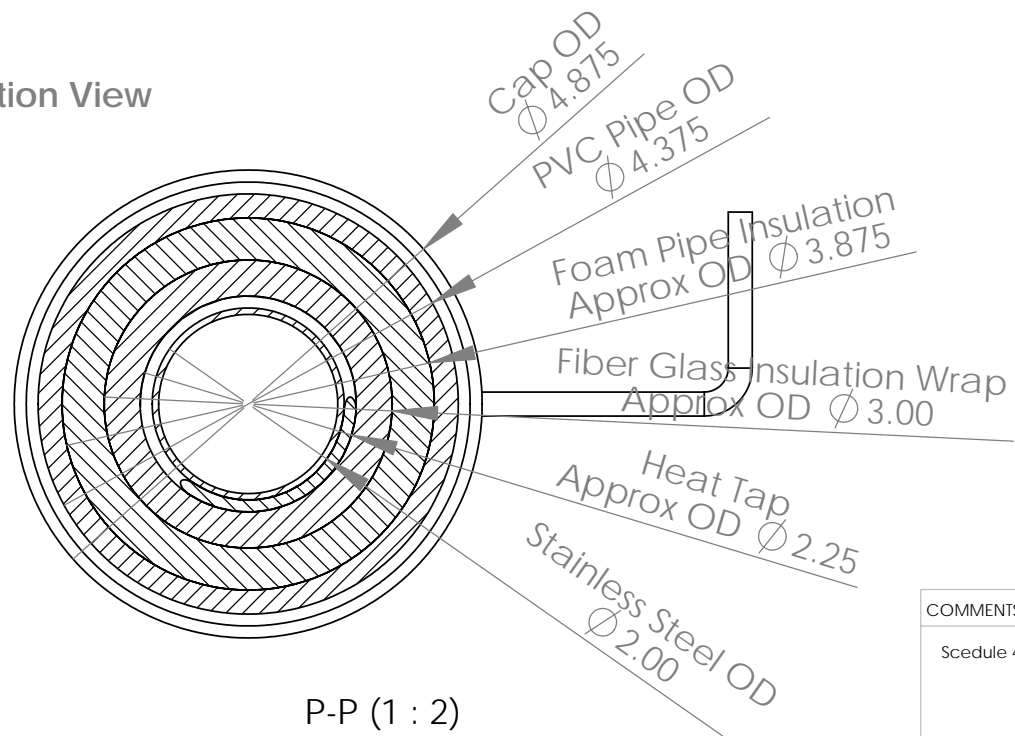
SCALE: 1:9 WEIGHT: SHEET 1 OF 1

Cut Away Side/Top View

DATE 2004



Section View



NAME	DATE
JAKE MALLET	2004
UNITS	inches
TOLERANCES	+/-
MATERIAL	PVC / S.S. tubing
FINISH	None

COMMENTS	QUANTITY	x 1
Schedule 40 or 80 can be used		

NOAA - CMDL

TITLE: Heat Sample Tube Assemb.

SIZE	DWG. NO.	REV
A	1	1

SCALE: 1:10

5 4 3 2 1