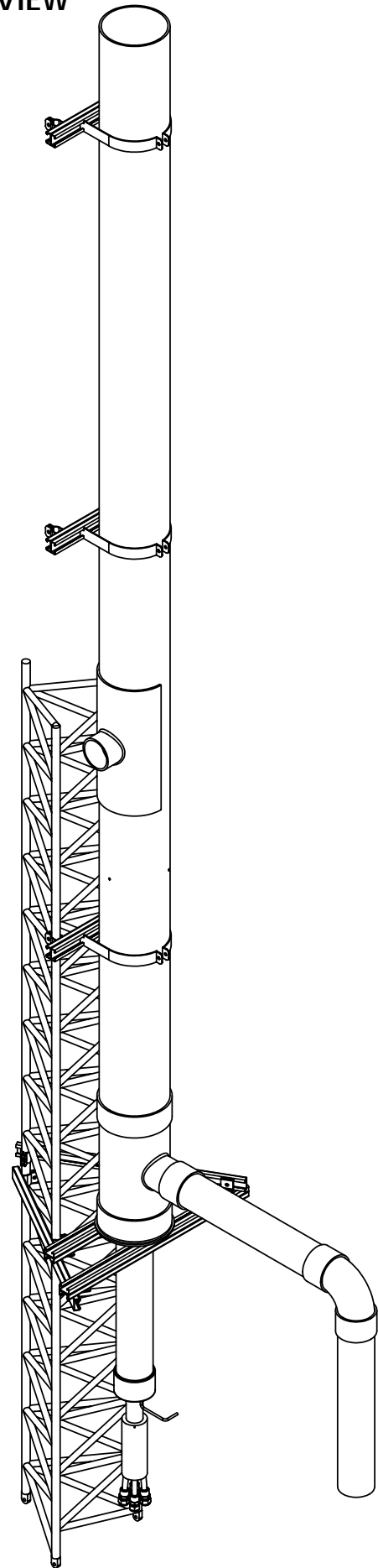
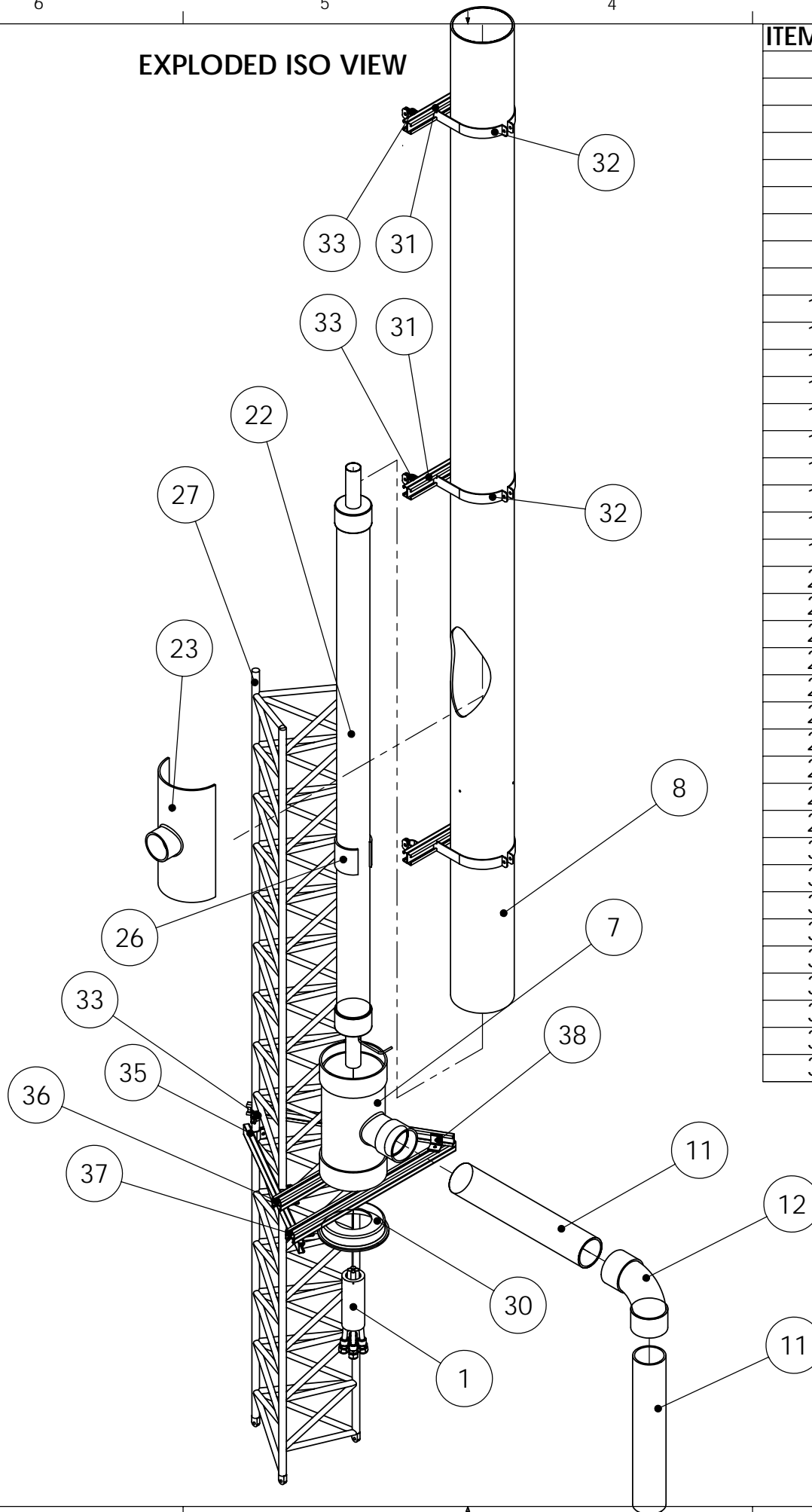


ISO VIEW



EXPLODED ISO VIEW



ITEM NO.	QTY.	PART NO.
1	1	Air Flow SplitterBody
2	4	0.625 in OD Stainless Steel pipe
3	4	Male Pipe Weld Connector - 3_4
4	1	16in Diam Mixing Bowl
5	1	Pipe Clamp Collar
6	1	Aluminum Tabs_for rain hat
7	1	8.375in OD female with 4.375in OD T_conector
8	1	8.375 OD Sewage GRD pipe 13ft long heat sapmle tube se
9	1	8.375 OD Sewage GRD pipe Ripper w_female
10	1	8.375 OD Sewage GRD pipe 13ft long w_female
11	2	4.375in OD 24in_long Sewage GRD pipe
12	1	4.375in OD female 90deg elbow
13	1	2in OD Stainless Steel Tube 8ft long
14	2	2in ID Collar
15	2	Hose Clamp
16	1	Heat Tape
17	1	OA220F Thermal Cut Out Switch
18	1	3in OD Fiber Glass Wrap Insulation
19	1	3in ID Foam Pipe Insulation
20	1	4.375in OD Sewage GRD pipe Cap top
21	1	4.375in OD Sewage GRD pipe Cap bottom
22	1	4.375in OD Sewage GRD pipe
23	1	Access Panel Cover
24	1	Eliptical cut out of heat sapmle tube section
25	1	Ground Mount
26	1	Heat Sample Tube Positioning Collar
27	1	10ft tall Tower GRD Section
28	1	10ft tall Tower Middle Section
29	1	10ft tall Tower Top Section w_cap
30	1	8.375 OD End Cap
31	7	Steel Unistrut 4101 18in long
32	14	8.375in ID Diam. Unistrut mounting bracket
33	36	1.0in ID Diam. Unistrut mounting bracket
34	1	Grd Bias Mast 20cm radius
35	2	Steel Unistrut 4100 28in long
36	1	Steel Unistrut 4101 22in long
37	1	Steel Unistrut 4101 30in long
38	4	UniStrut 90deg Angle mounting bracket

DRAWN/ENG.	NAME:	DATE:
JAKE MALLETT	JAKE MALLETT	2004
UNITS	Inches	
TOLERANCES	+/- -Dist x.xx +/- -Angula	
MATERIALS:	MAT. FINISH:	QTY.
N/A	N/A	x 1
N/A	N/A	x 1
N/A	N/A	x 1
N/A	N/A	x 1

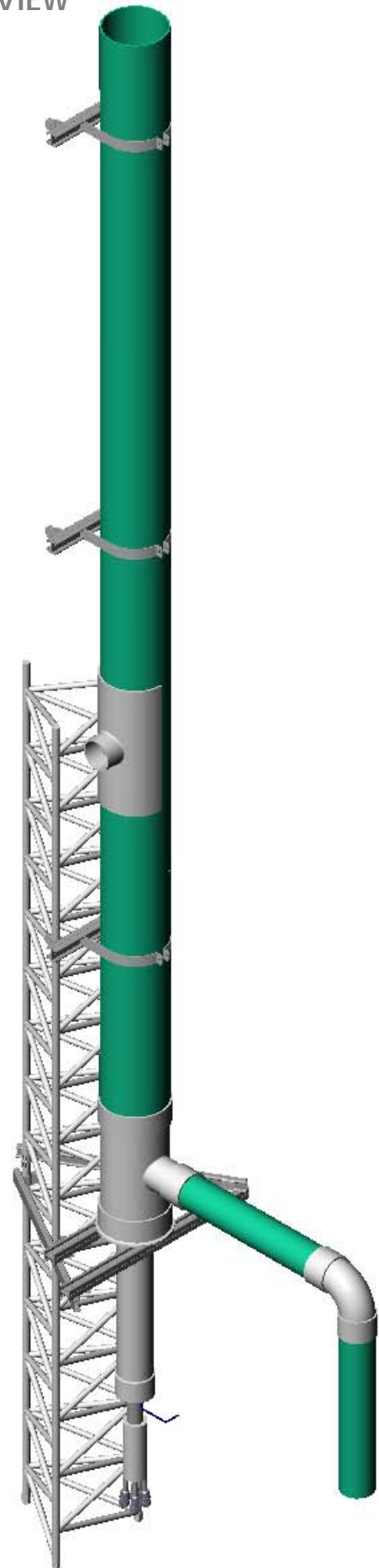
COMMENTS:  
This sheet only contains the lower portion of the stack within the exploded view and Bill of Materials.



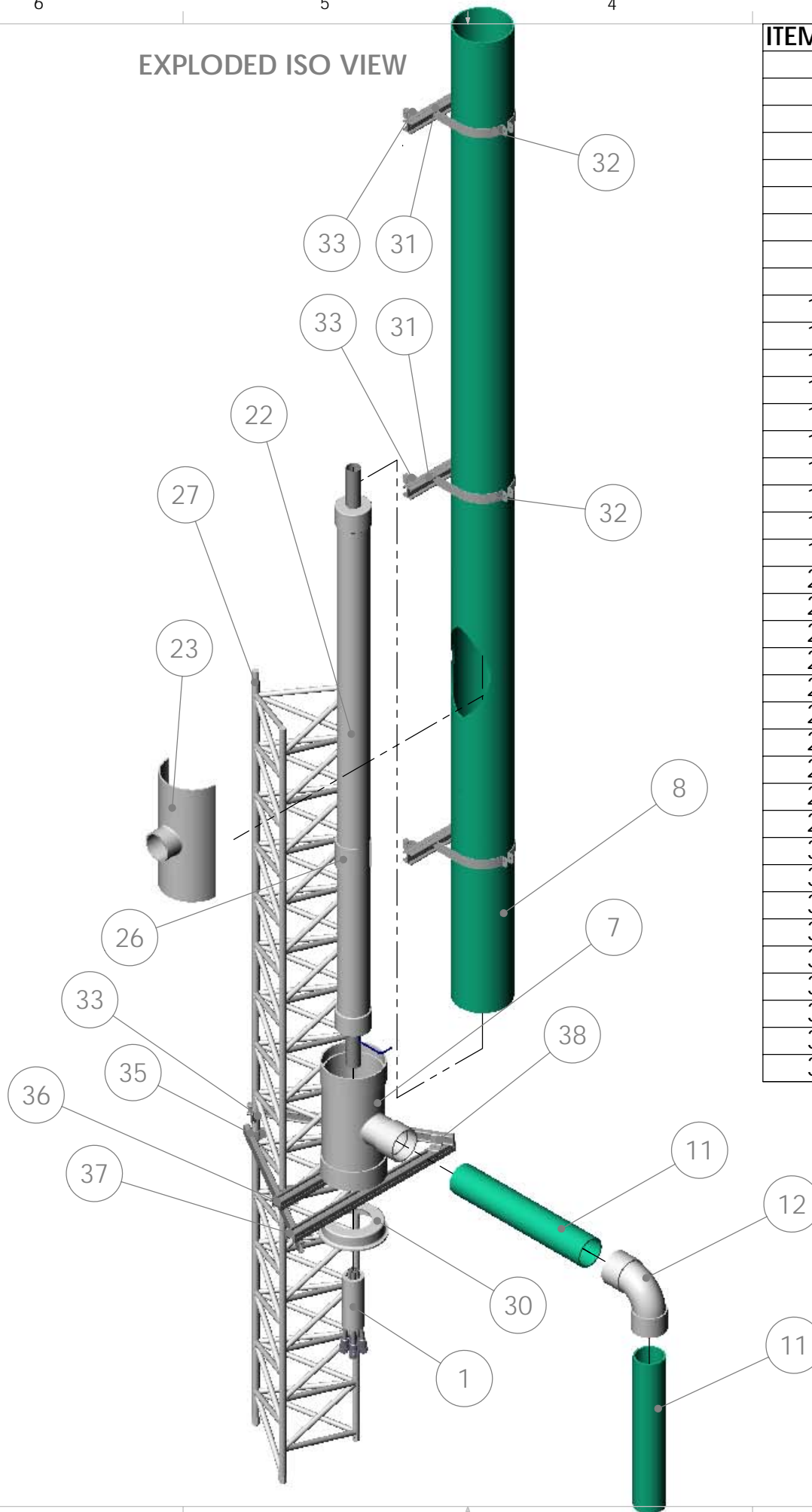
TITLE:  
**EXPLODED STACK VIEW**

SIZE	DWG. NO.	REV
<b>B</b>	<b>3</b>	
SCALE:1:19	SHEET 1 OF 1	

ISO VIEW



EXPLODED ISO VIEW



ITEM NO.	QTY.	PART NO.
1	1	Air Flow SplitterBody
2	4	0.625 in OD Stainless Steel pipe
3	4	Male Pipe Weld Connector - 3_4
4	1	16in Diam Mixing Bowl
5	1	Pipe Clamp Collar
6	1	Aluminum Tabs_for rain hat
7	1	8.375in OD female with 4.375in OD T_conector
8	1	8.375 OD Sewage GRD pipe 13ft long heat sapmle tube se
9	1	8.375 OD Sewage GRD pipe Ripper w_female
10	1	8.375 OD Sewage GRD pipe 13ft long w_female
11	2	4.375in OD 24in_long Sewage GRD pipe
12	1	4.375in OD female 90deg elbow
13	1	2in OD Stainless Steel Tube 8ft long
14	2	2in ID Collar
15	2	Hose Clamp
16	1	Heat Tape
17	1	OA220F Thermal Cut Out Switch
18	1	3in OD Fiber Glass Wrap Insulation
19	1	3in ID Foam Pipe Insulation
20	1	4.375in OD Sewage GRD pipe Cap_top
21	1	4.375in OD Sewage GRD pipe Cap_bottom
22	1	4.375in OD Sewage GRD pipe
23	1	Access Panel Cover
24	1	Eliptical cut out of heat sapmle tube section
25	1	Ground Mount
26	1	Heat Sample Tube Positioning Collar
27	1	10ft tall Tower GRD Section
28	1	10ft tall Tower Middle Section
29	1	10ft tall Tower Top Section w_cap
30	1	8.375 OD End Cap
31	7	Steel Unistrut 4101 18in long
32	14	8.375in ID Diam. Unistrut mounting bracket
33	36	1.0in ID Diam. Unistrut mounting bracket
34	1	Grd Bias Mast 20cm radius
35	2	Steel Unistrut 4100 28in long
36	1	Steel Unistrut 4101 22in long
37	1	Steel Unistrut 4101 30in long
38	4	UniStrut 90deg Angle mounting bracket

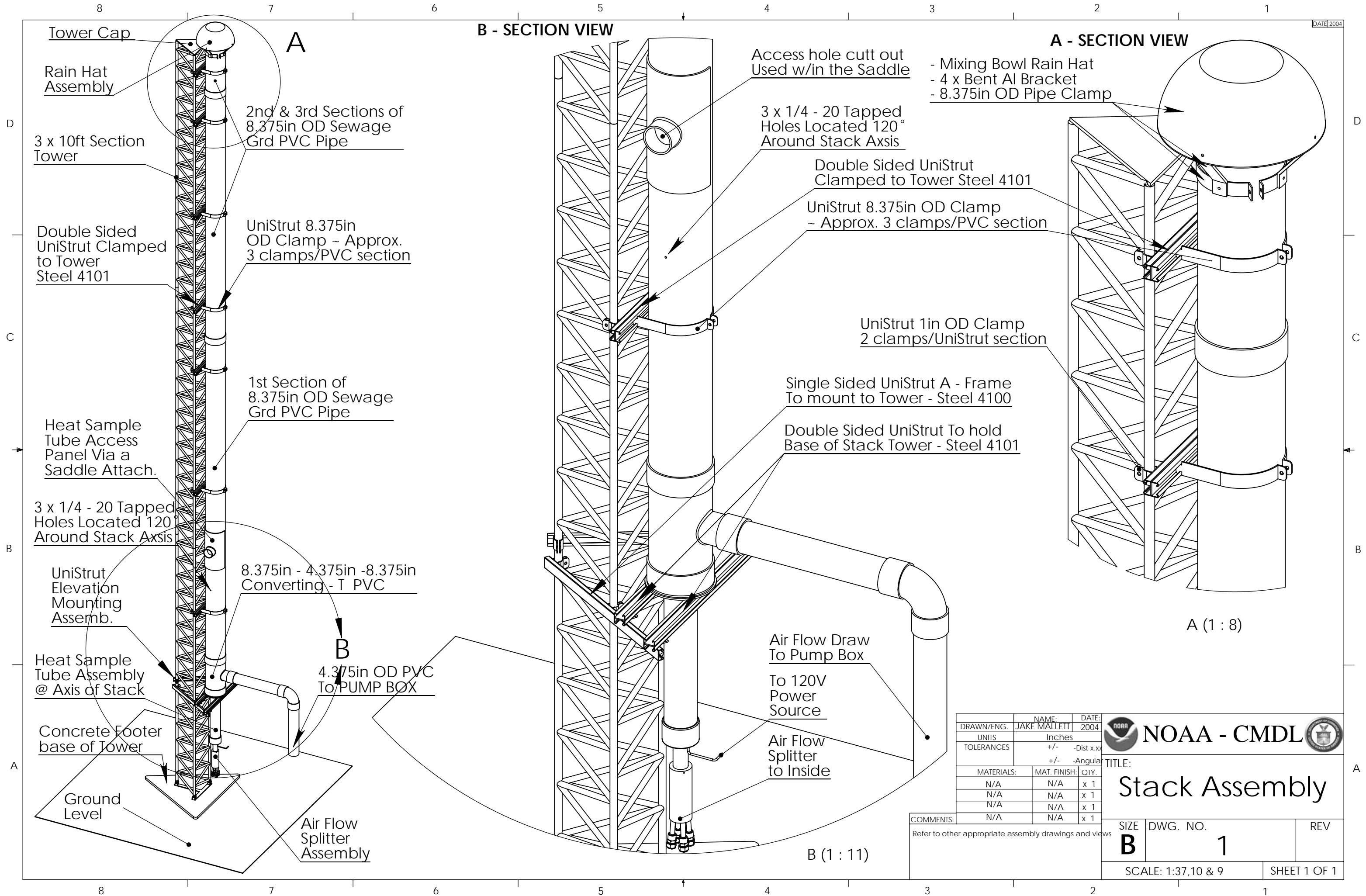
DRAWN/ENG.	NAME:	DATE:
JAKE MALLET	JAKE MALLET	2004
UNITS	Inches	
TOLERANCES	+/- -Dist x.xx	
	+/- -Angular	
MATERIALS:	MAT. FINISH:	QTY.
N/A	N/A	x 1
N/A	N/A	x 1
N/A	N/A	x 1
N/A	N/A	x 1



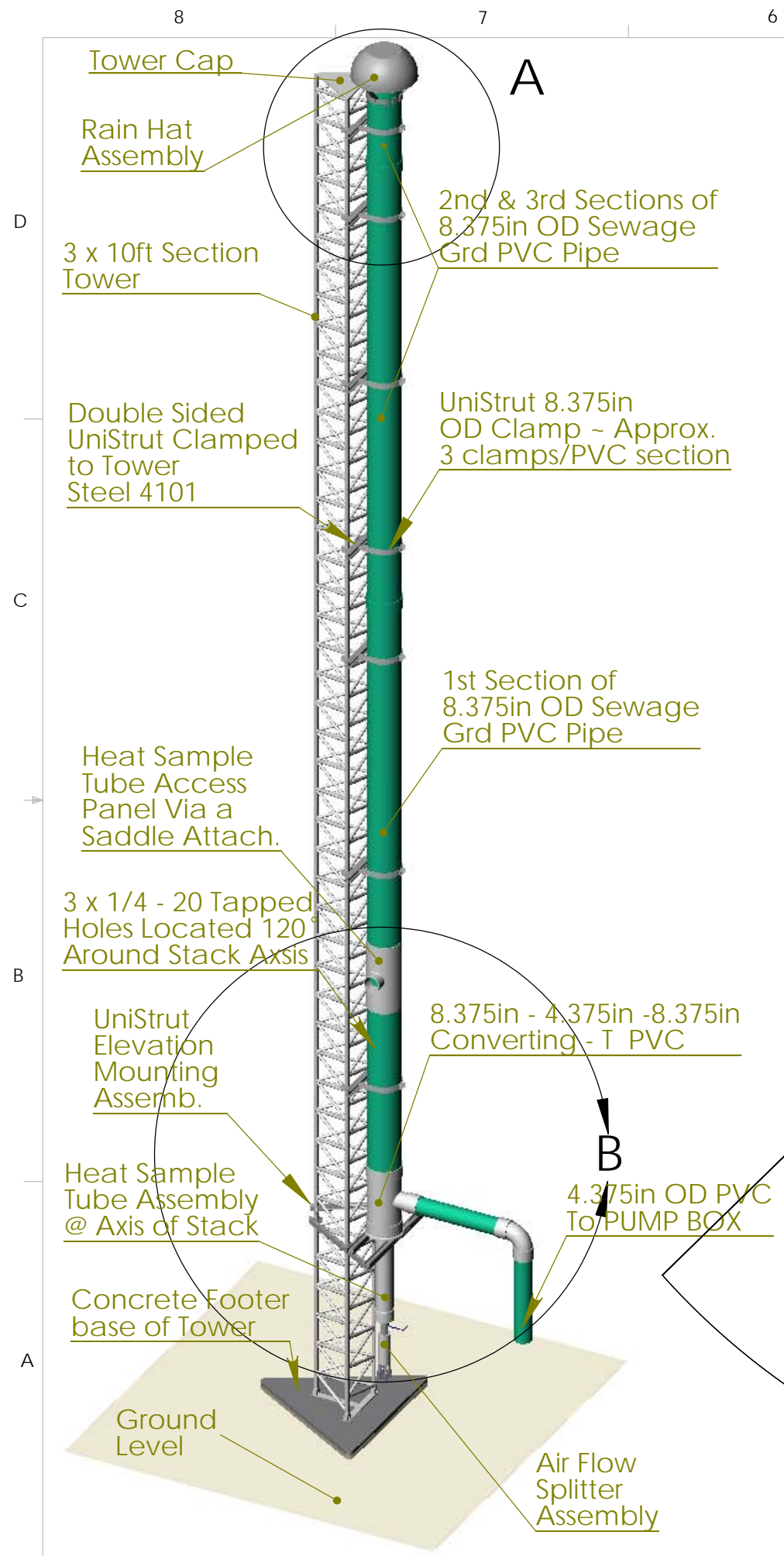
TITLE:  
**EXPLODED STACK VIEW**

COMMENTS:  
This sheet only contains the lower portion of the stack within the exploded view and Bill of Materials.

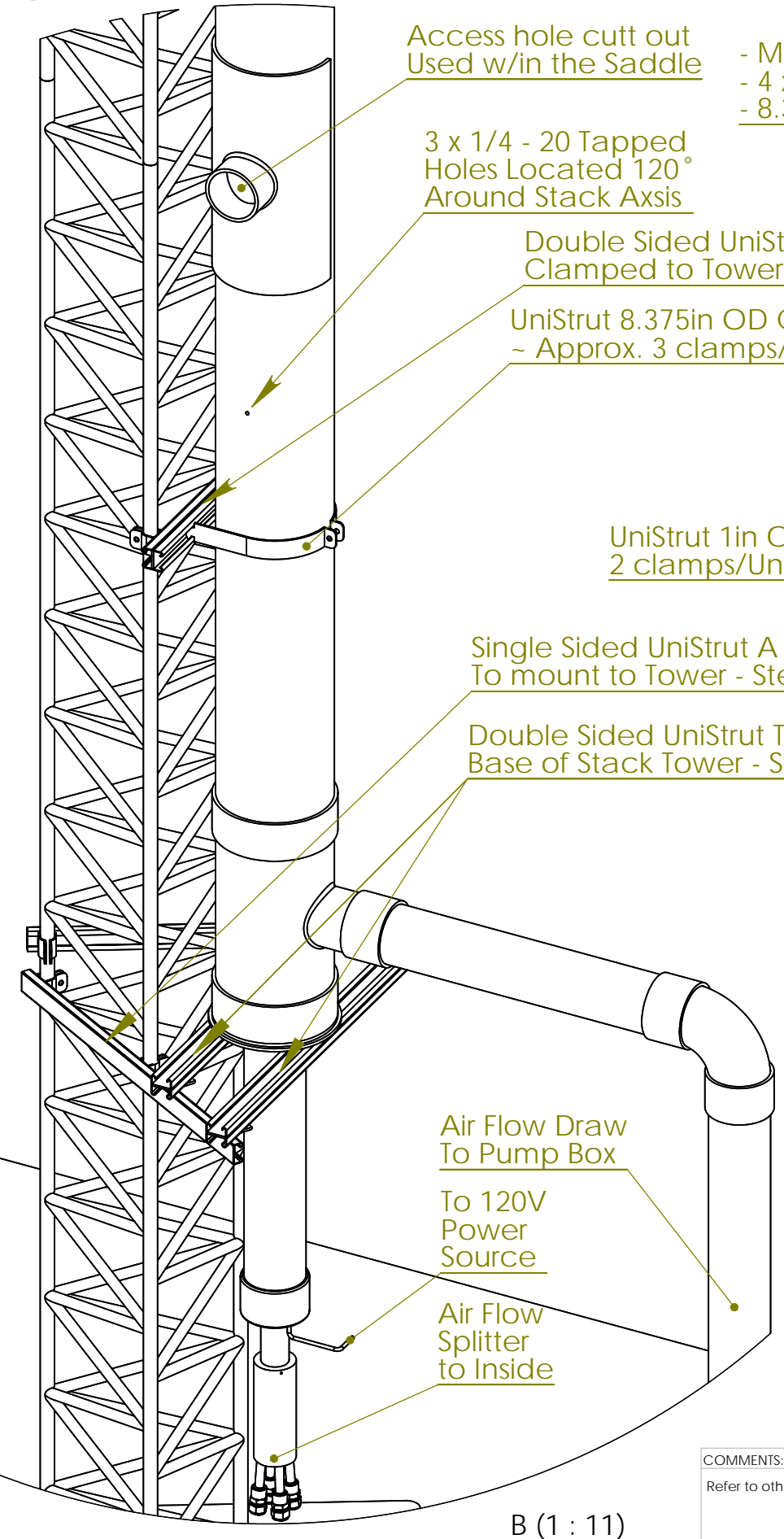
SIZE	DWG. NO.	REV
<b>B</b>	<b>3</b>	
SCALE:1:19	SHEET 1 OF 1	



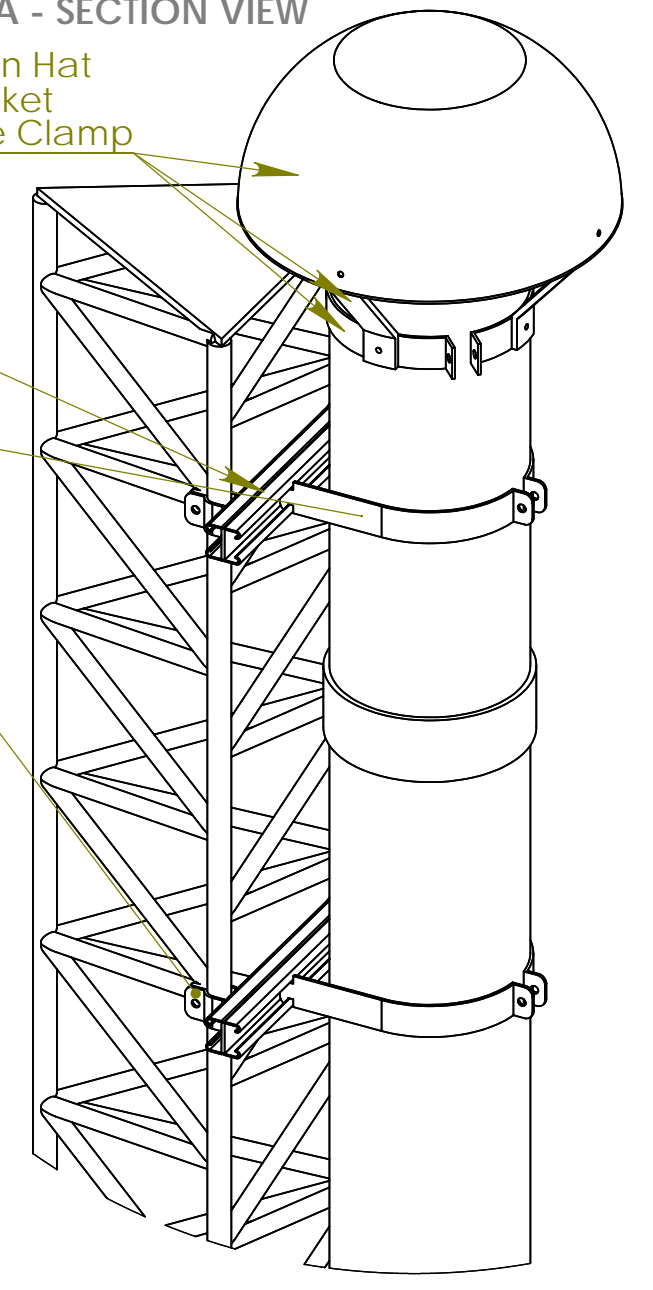




**B - SECTION VIEW**



**A - SECTION VIEW**



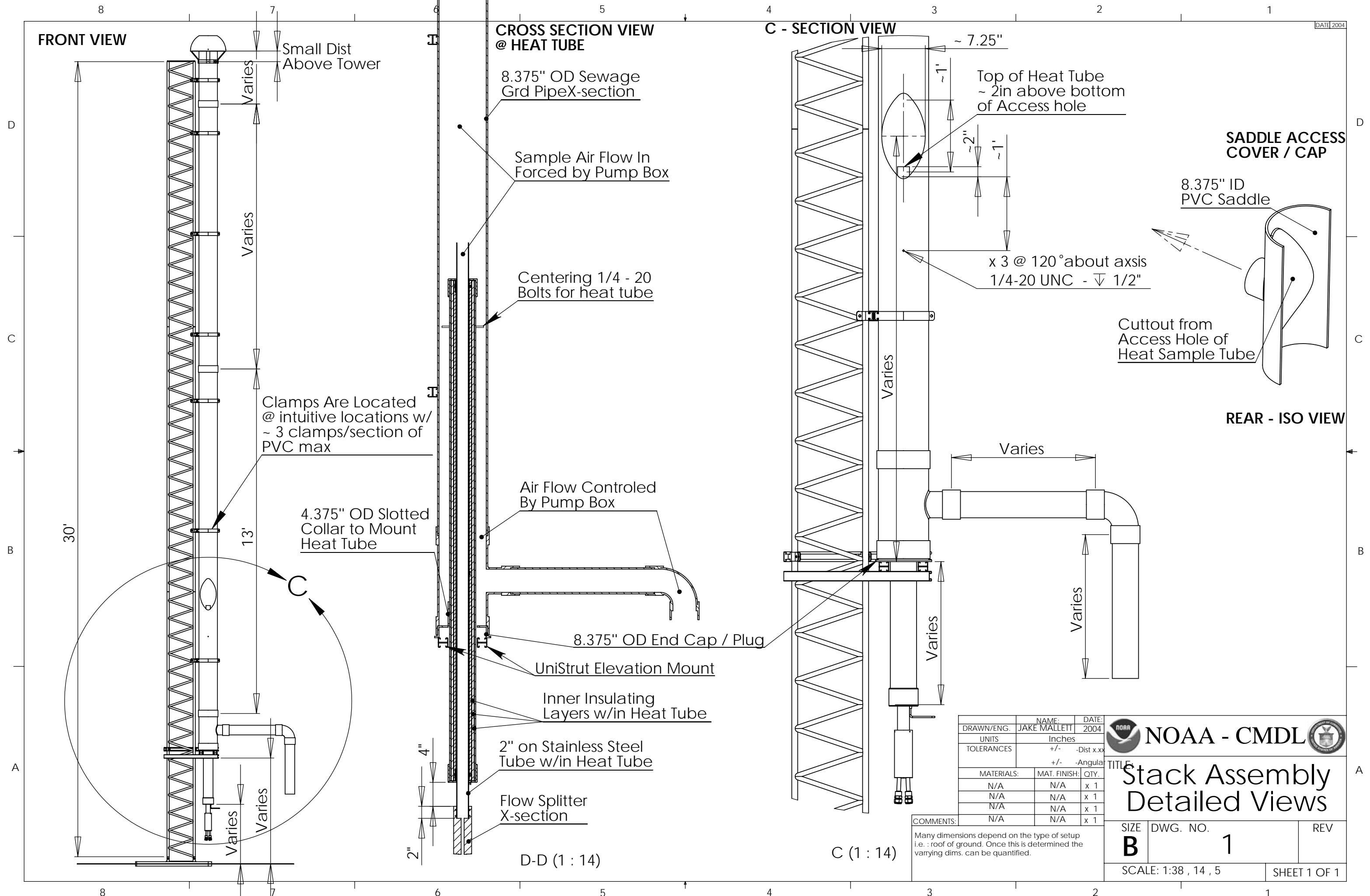
DRAWN/ENG.	NAME:	DATE:
JAKE MALLETT	JAKE MALLETT	2004
UNITS	Inches	
TOLERANCES	+/- -Dist x.xx	
	+/- -Angular	
MATERIALS:	MAT. FINISH:	QTY.
N/A	N/A	x 1
N/A	N/A	x 1
N/A	N/A	x 1
N/A	N/A	x 1



**Stack Assembly**

COMMENTS: Refer to other appropriate assembly drawings and views

SIZE	DWG. NO.	REV
<b>B</b>	<b>1</b>	
SCALE: 1:37,10 & 9		SHEET 1 OF 1



NAME:	DATE:
JAKE MALLETT	2004
UNITS	Inches
TOLERANCES	+/- -Dist x.xx +/- -Angula
MATERIALS:	MAT. FINISH: QTY.
N/A	N/A x 1
N/A	N/A x 1
N/A	N/A x 1
N/A	N/A x 1

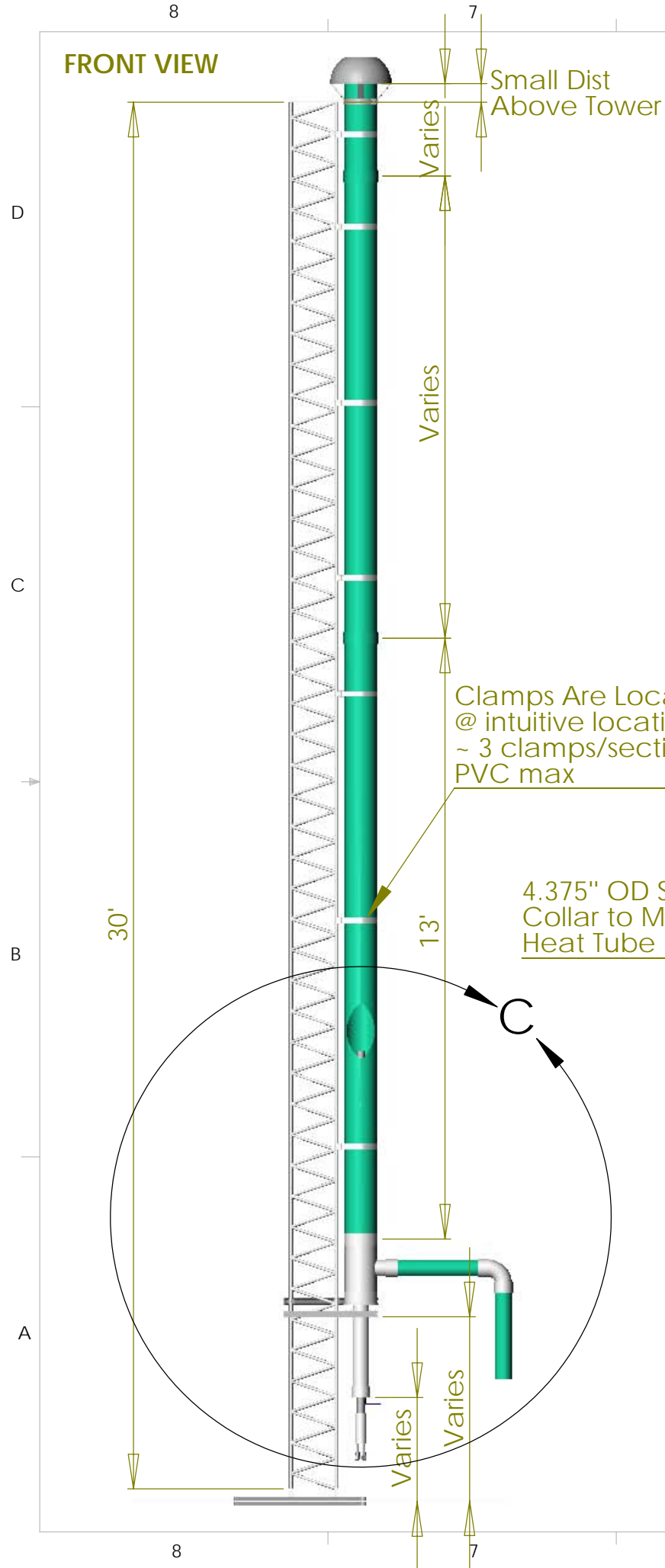
COMMENTS:  
Many dimensions depend on the type of setup i.e. : roof of ground. Once this is determined the varying dims. can be quantified.



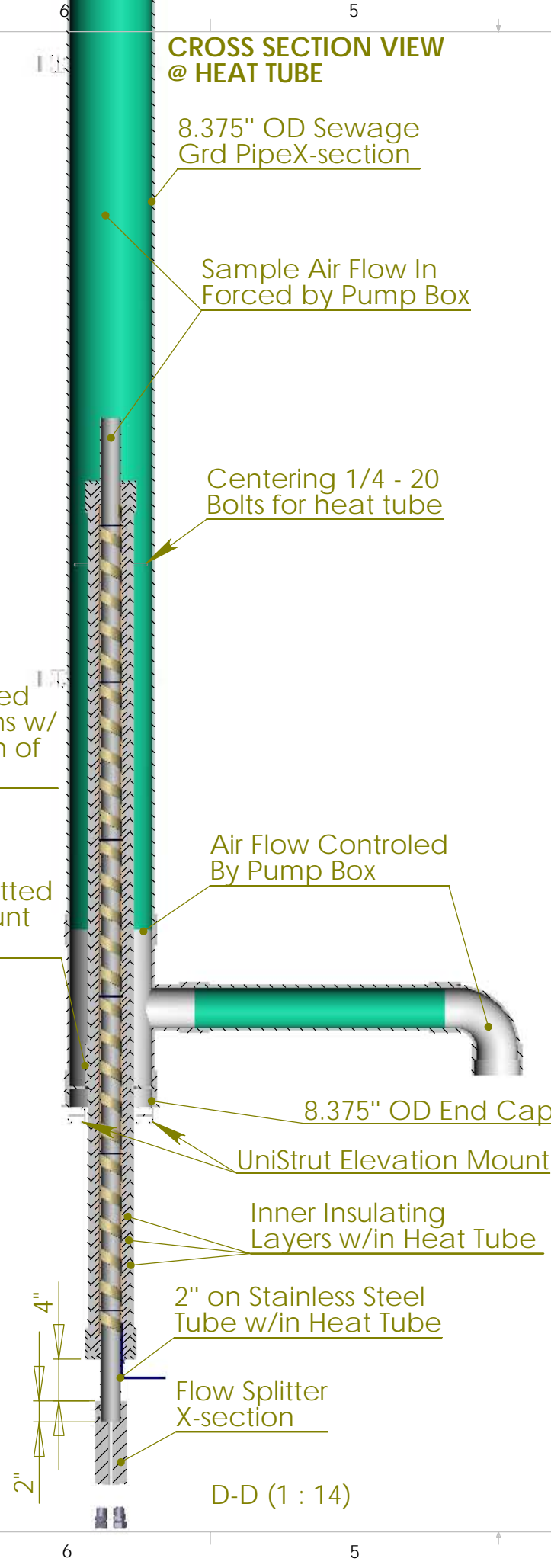
**Stack Assembly Detailed Views**

SIZE	DWG. NO.	REV
<b>B</b>	<b>1</b>	
SCALE: 1:38, 14, 5		SHEET 1 OF 1

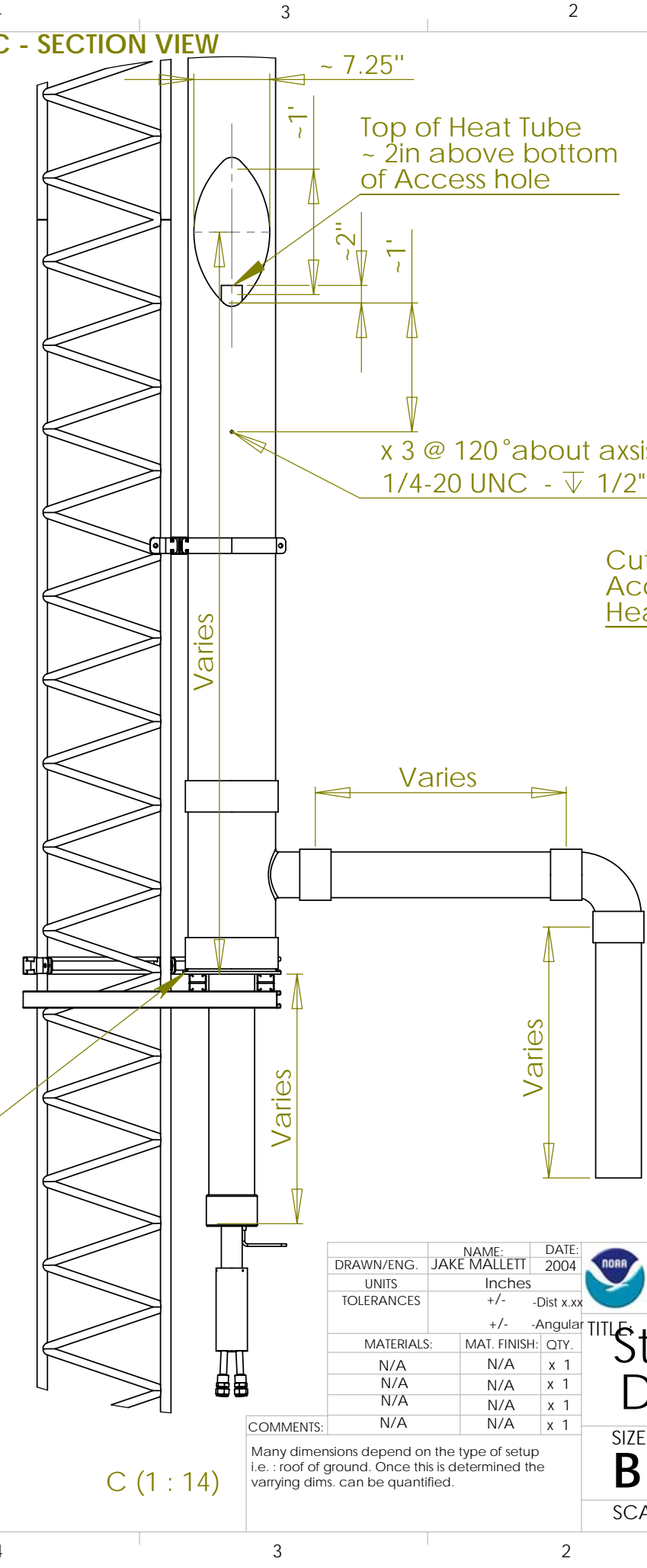
### FRONT VIEW



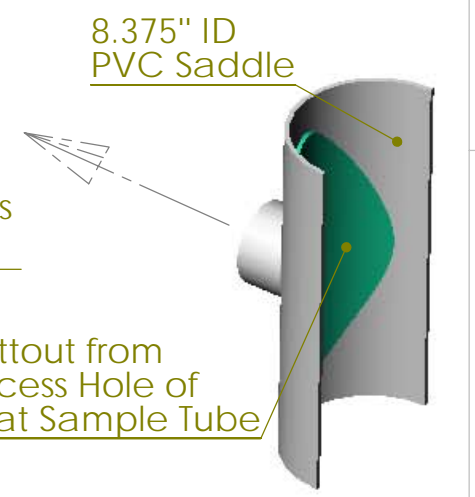
### CROSS SECTION VIEW @ HEAT TUBE



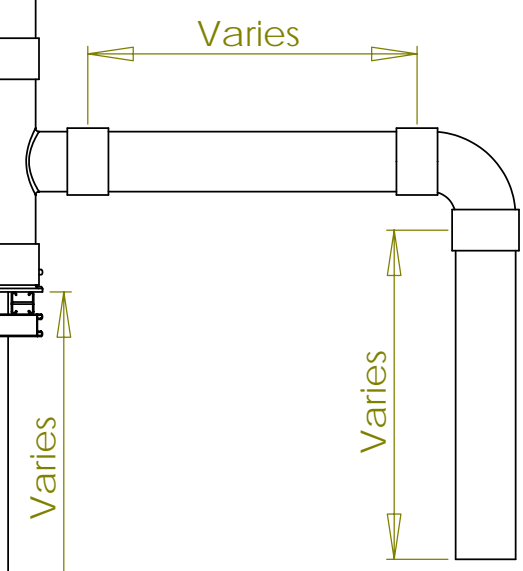
### C - SECTION VIEW



### SADDLE ACCESS COVER / CAP



### REAR - ISO VIEW



DRAWN/ENG.	NAME:	DATE:
JAKE MALLET	JAKE MALLET	2004
UNITS	Inches	
TOLERANCES	+/-	-Dist x.xx
	+/-	-Angular
MATERIALS:	MAT. FINISH:	QTY.
N/A	N/A	x 1
N/A	N/A	x 1
N/A	N/A	x 1
N/A	N/A	x 1

COMMENTS:  
Many dimensions depend on the type of setup i.e. : roof of ground. Once this is determined the varying dims. can be quantified.

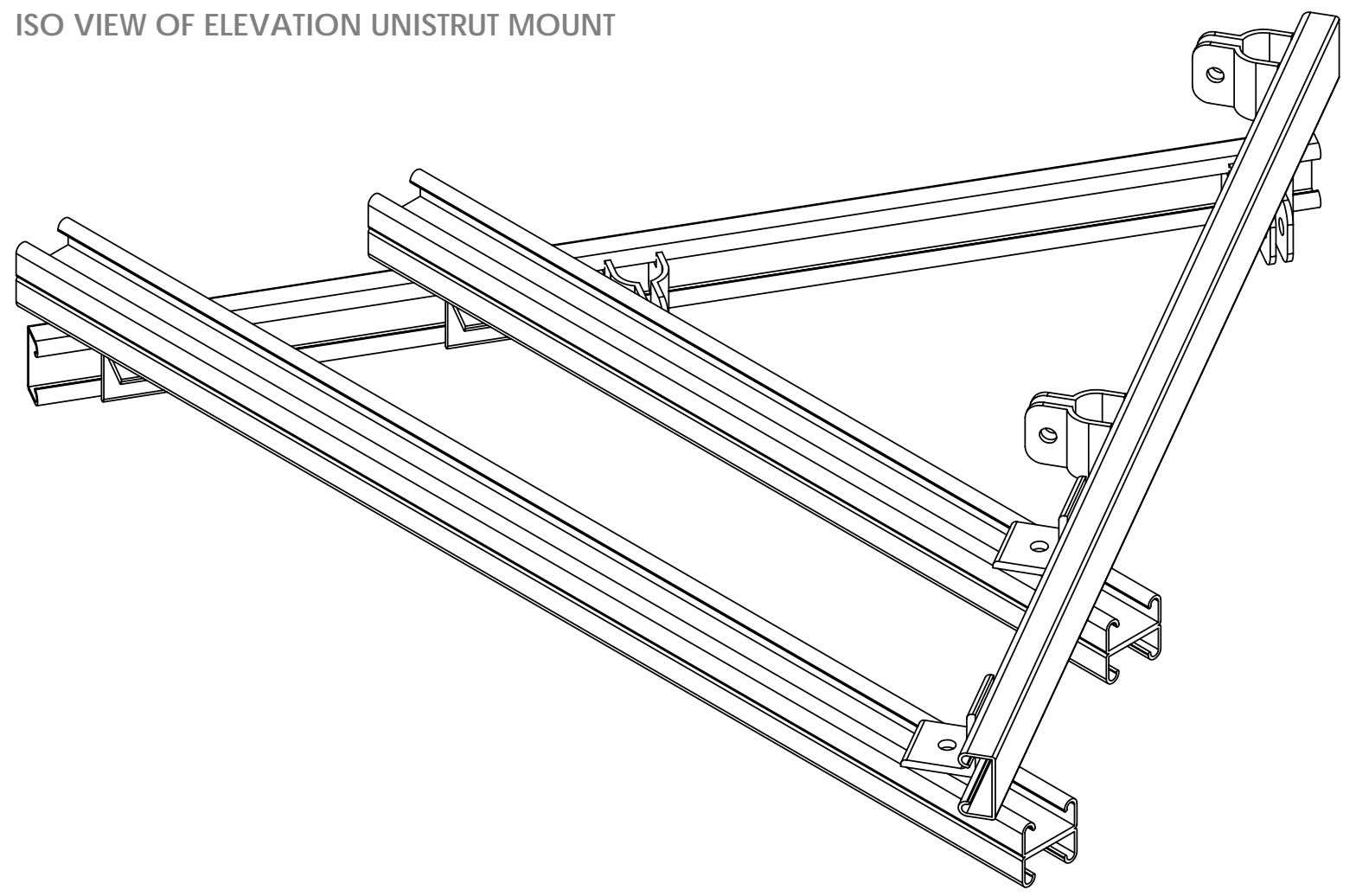


# Stack Assembly Detailed Views

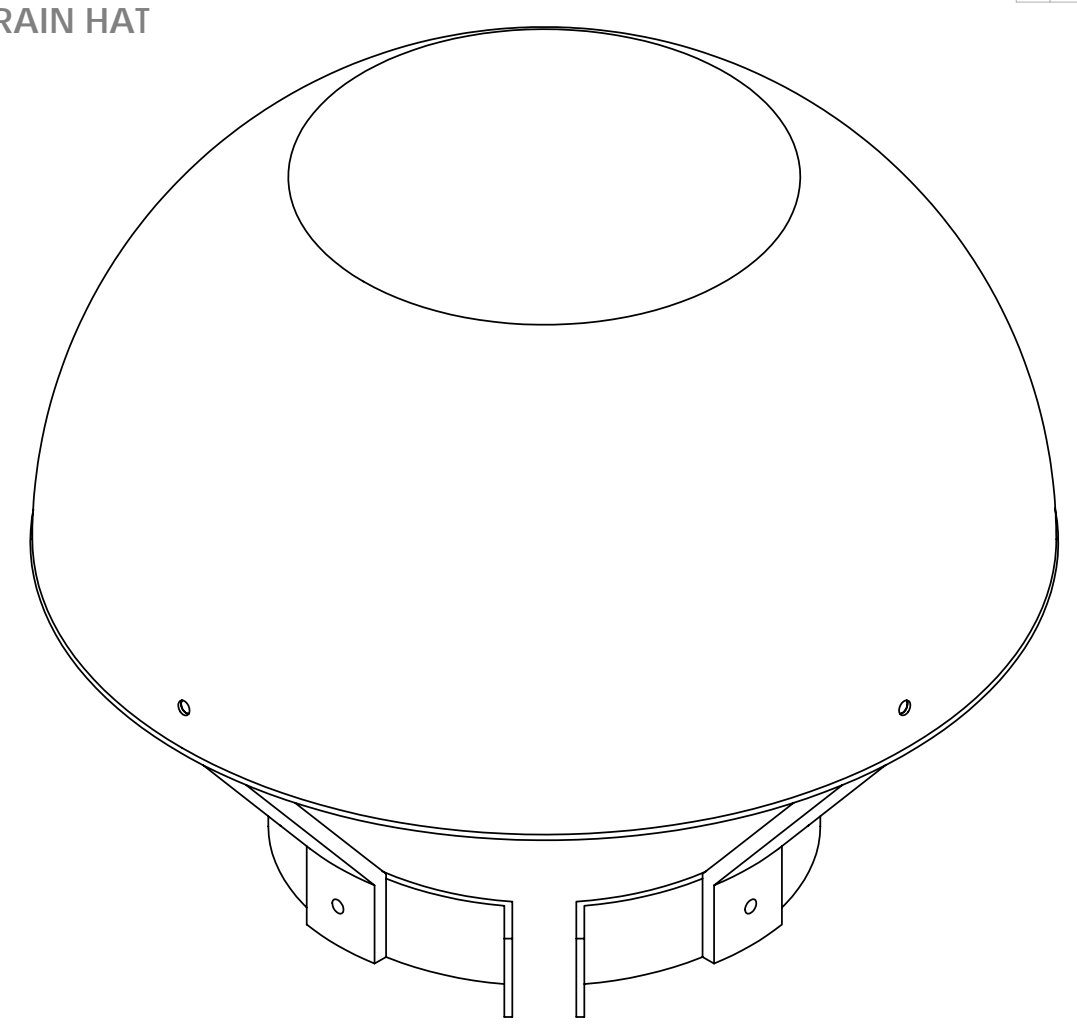
SIZE	DWG. NO.	REV
<b>B</b>	<b>1</b>	
SCALE: 1:38, 14, 5		SHEET 1 OF 1



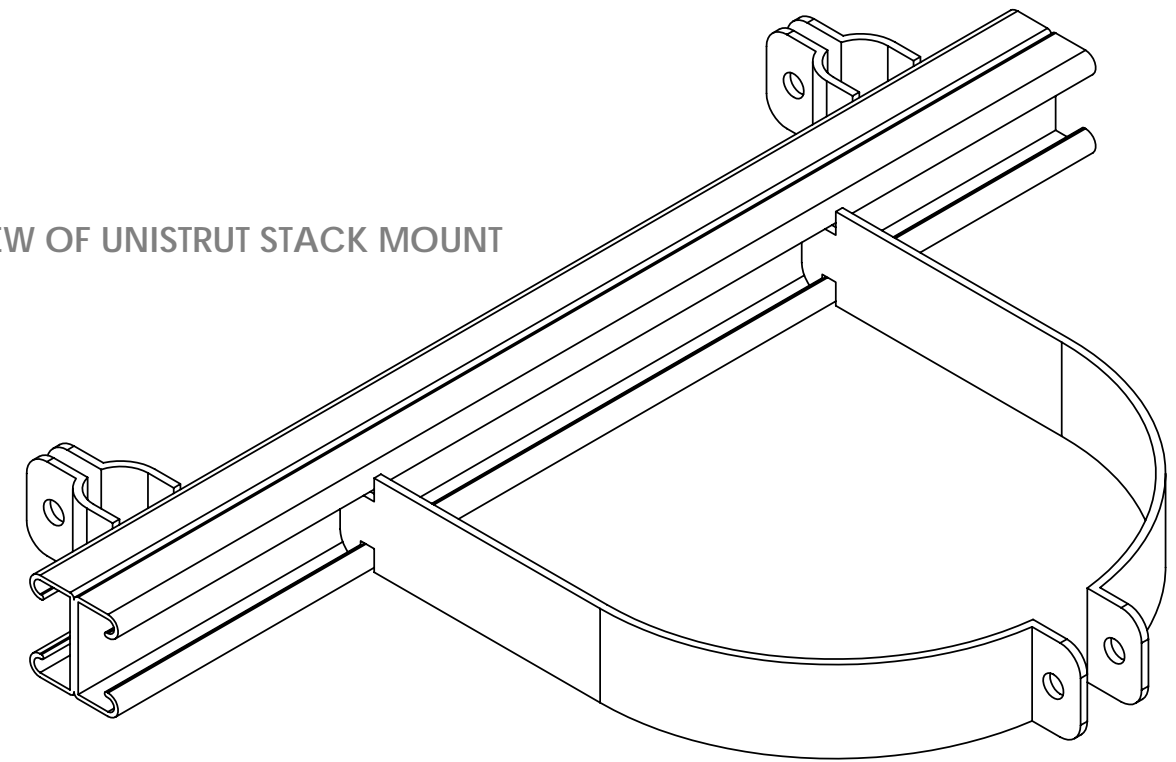
ISO VIEW OF ELEVATION UNISTRUT MOUNT



ISO VIEW OF RAIN HAT



ISO VIEW OF UNISTRUT STACK MOUNT



DRAWN/ENG.	NAME:	DATE:
JAKE MALLET	JAKE MALLET	2004
UNITS	Inches	
TOLERANCES	+/-	-Dist x.xx
	+/-	-Angular
MATERIALS:	MAT. FINISH:	QTY.
N/A	N/A	x 1
N/A	N/A	x 1
N/A	N/A	x 1
N/A	N/A	x 1



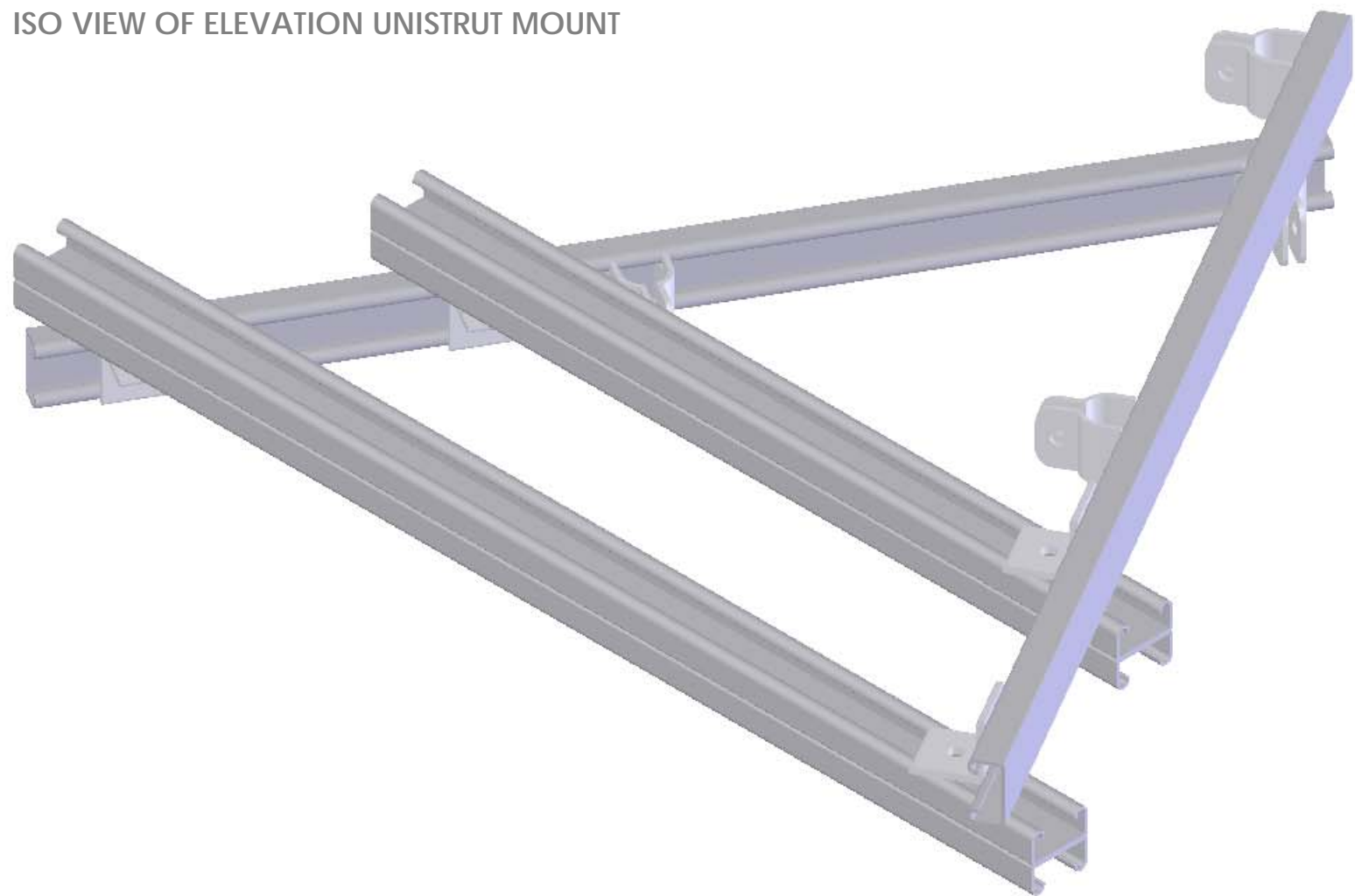
NOAA - CMDL

TITLE: Small Assemblies

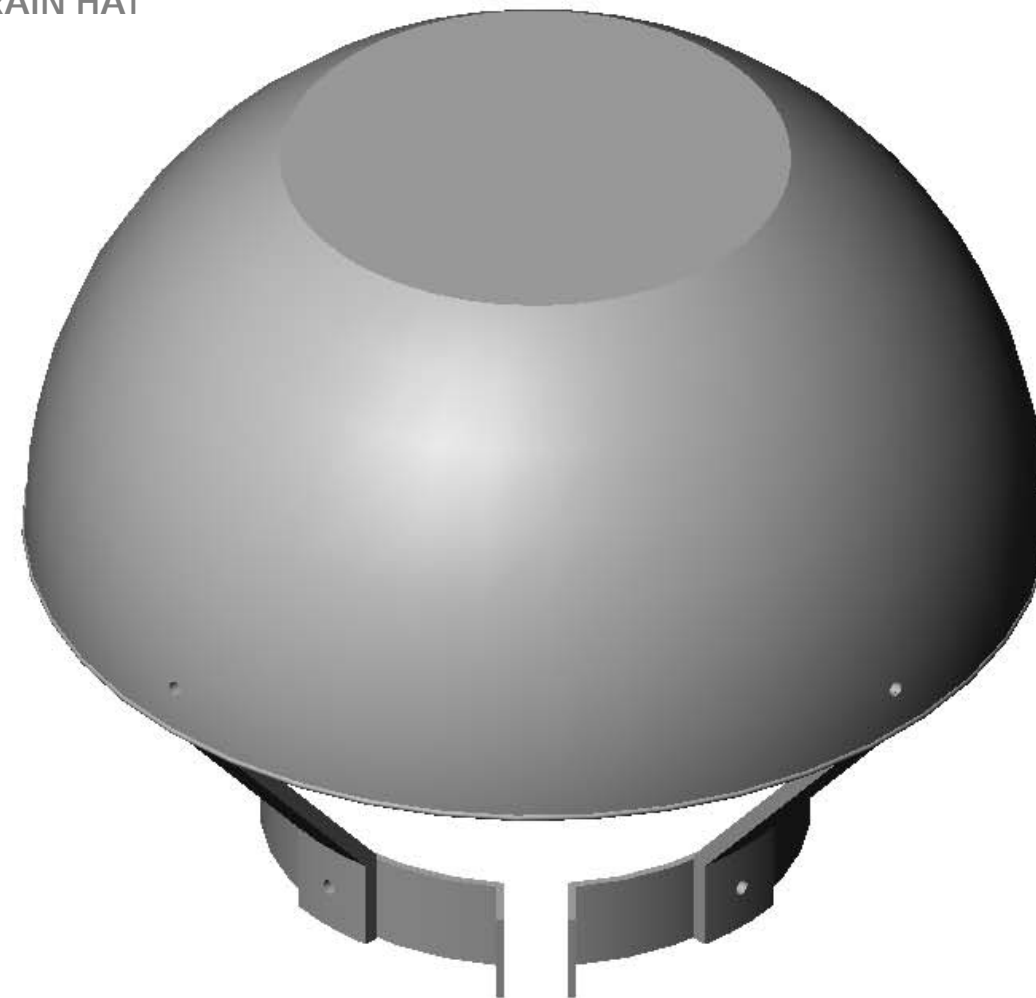
COMMENTS: Three Different Isometric Views of small assemblies used within stack model

SIZE	DWG. NO.	REV
<b>B</b>		

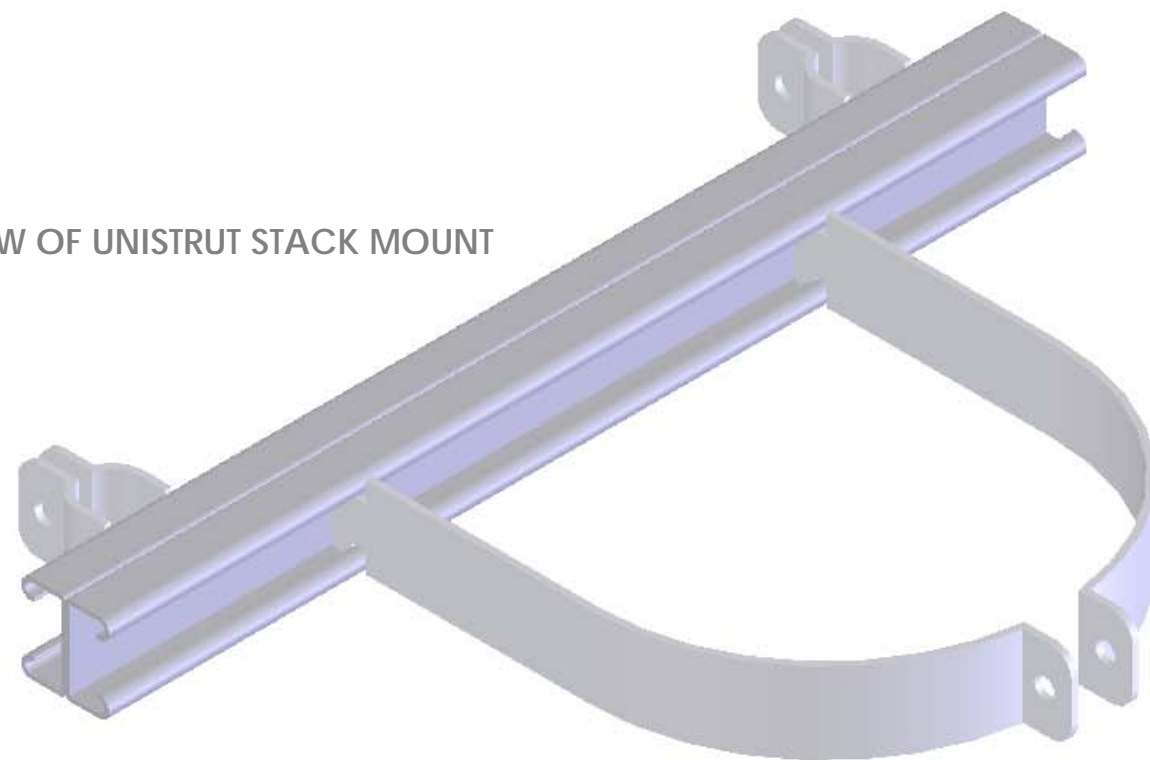
ISO VIEW OF ELEVATION UNISTRUT MOUNT



ISO VIEW OF RAIN HAT



ISO VIEW OF UNISTRUT STACK MOUNT



DRAWN/ENG.	NAME:	DATE:
JAKE MALLET	JAKE MALLET	2004
UNITS	Inches	
TOLERANCES	+/-	-Dist x.xx
	+/-	-Angular
MATERIALS:	MAT. FINISH:	QTY.
N/A	N/A	x 1
N/A	N/A	x 1
N/A	N/A	x 1
N/A	N/A	x 1



TITLE:  
**Small Assemblies**

COMMENTS:

Three Different Isometric Views of small assemblies used within stack model

SIZE	DWG. NO.	REV
<b>B</b>		
SCALE:1:3		SHEET 1 OF 1