


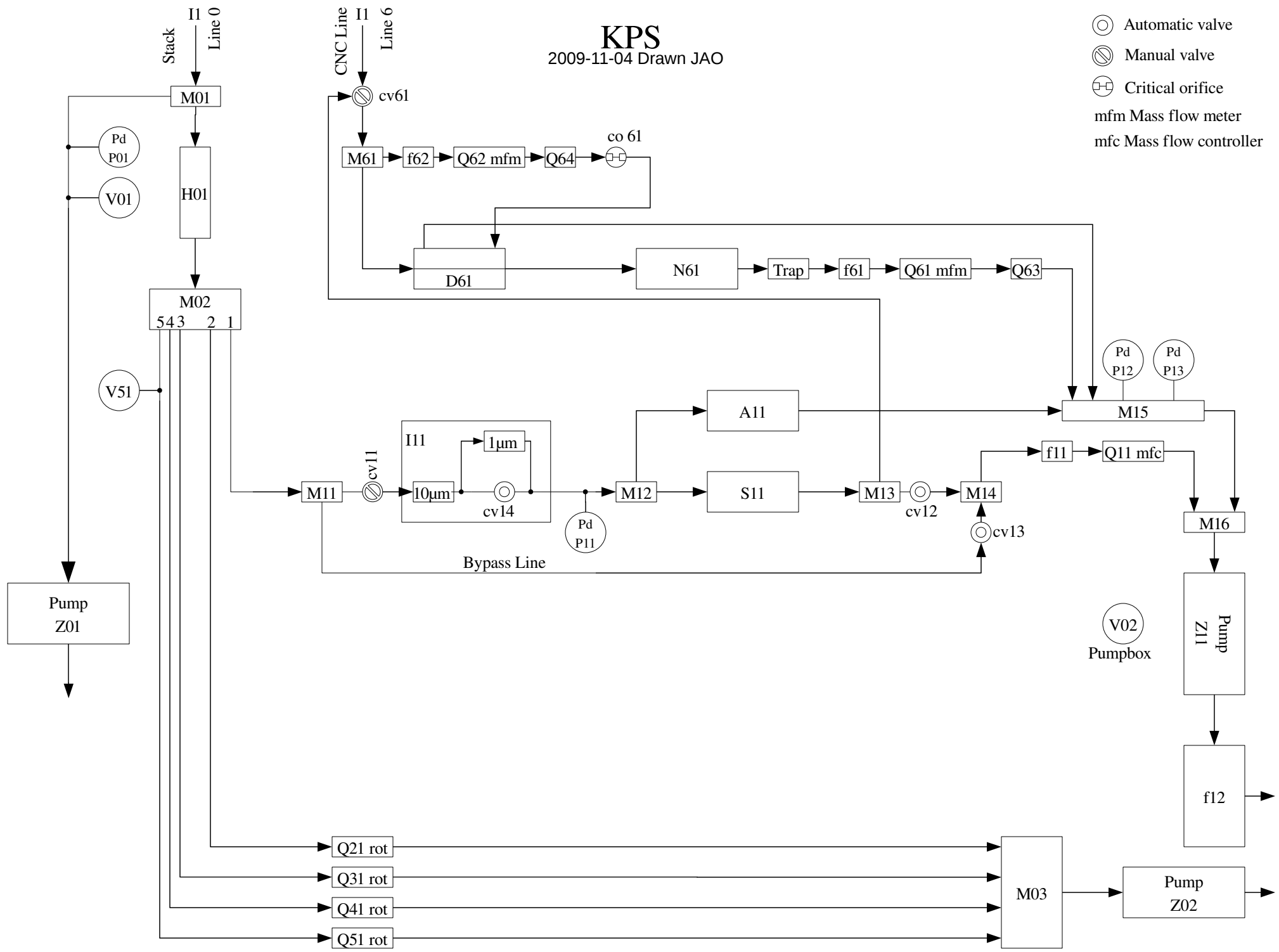


-  Automatic valve
-  Manual valve
-  Critical orifice
- mfm Mass flow meter
- mfc Mass flow controller



Bap\_B\_3W -> BaS\_A11  
Bap\_G -> BaO\_A11  
Bap\_G\_3W -> BaL\_A11  
Bap\_R\_3W -> BaC\_A11  
CN\_control -> N\_N61  
Flags -> F\_aer  
P\_refNeph -> P\_S11  
RefBbsp\_B -> BbsB\_S11  
RefBbsp\_G -> BbsG\_S11  
RefBbsp\_R -> BbsR\_S11  
RefBsp\_B -> BsB\_S11  
RefBsp\_G -> BsG\_S11  
RefBsp\_R -> BsR\_S11  
RH\_refInlet -> Uu\_S11  
RH\_refNeph -> U\_S11  
T\_refInlet -> Tu\_S11  
T\_refNeph -> T\_S11

BaC\_A11 -> Bap\_R\_3W  
BaL\_A11 -> Bap\_G\_3W  
BaO\_A11 -> Bap\_G  
BaS\_A11 -> Bap\_B\_3W  
BbsB\_S11 -> RefBbsp\_B  
BbsG\_S11 -> RefBbsp\_G  
BbsR\_S11 -> RefBbsp\_R  
BsB\_S11 -> RefBsp\_B  
BsG\_S11 -> RefBsp\_G  
BsR\_S11 -> RefBsp\_R  
F\_aer -> Flags  
N\_N61 -> CN\_control  
P\_S11 -> P\_refNeph  
T\_S11 -> T\_refNeph  
Tu\_S11 -> T\_refInlet  
U\_S11 -> RH\_refNeph  
Uu\_S11 -> RH\_refInlet