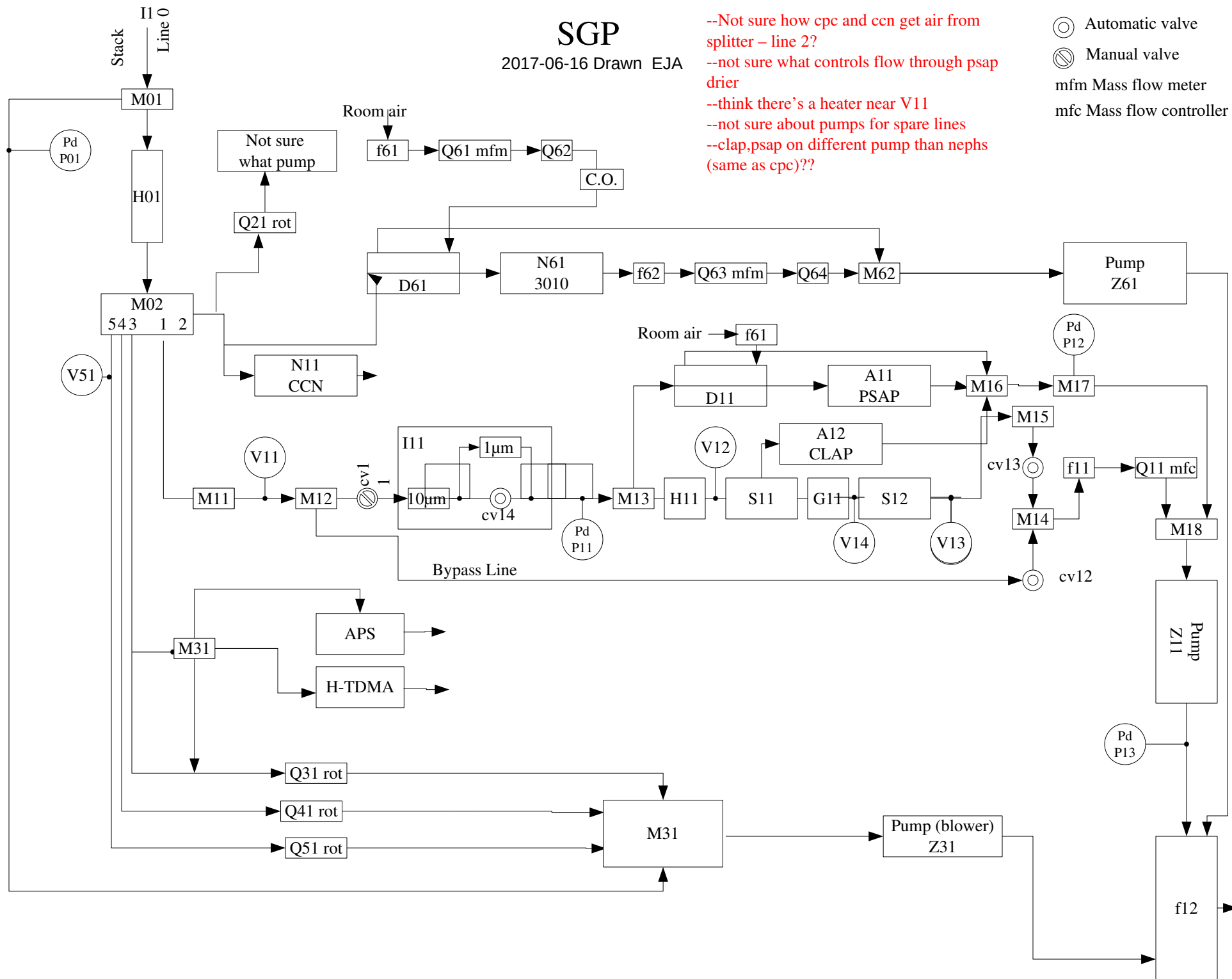


SGP

2017-06-16 Drawn EJA

--Not sure how cpc and ccn get air from splitter - line 2?
--not sure what controls flow through psap drier
--think there's a heater near V11
--not sure about pumps for spare lines
--clap,psap on different pump than nephls (same as cpc)??

- ⊙ Automatic valve
- ⊗ Manual valve
- mfm Mass flow meter
- mfc Mass flow controller



Bap_B_3W -> BaS_A11
Bap_G -> Ba0_A11
Bap_G_3W -> BaL_A11
Bap_R_3W -> BaC_A11
CN_ambient -> N2_N11
CN_control -> N_N61
dP_neph_imp_hPa -> Pd_P11
dp_Pitot_hPa -> Pd_P01
dP_spare2 -> Pd_P12
Flags -> F_aer
P_refNeph -> P_S11
P_wetNeph -> P_S12
Q_analyzer_lpm -> Q_Q11
Q_CN_lpm -> Q_Q63
Q_CNdrier_lpm -> Q_Q61
RefBbsp_B -> BbsB_S11
RefBbsp_G -> BbsG_S11
RefBbsp_R -> BbsR_S11
RefBsp_B -> BsB_S11
RefBsp_G -> BsG_S11
RefBsp_R -> BsR_S11
RH_Inlet -> U_V11
RH_refInlet -> Uu_S11
RH_refNeph -> U_S11
RH_S1 -> U_V12
RH_S2 -> U_V13
RH_wetInlet -> Uu_S12
RH_wetNeph -> U_S12
T_Inlet -> T_V11
T_refInlet -> Tu_S11
T_refNeph -> T_S11
T_S1 -> T_V12
T_S2 -> T_V13
T_uMAC_degC -> T_X1
T_wetInlet -> Tu_S12
T_wetNeph -> T_S12
V_uMAC_V -> V_X1
WetBbsp_B -> BbsB_S12
WetBbsp_G -> BbsG_S12
WetBbsp_R -> BbsR_S12
WetBsp_B -> BsB_S12
WetBsp_G -> BsG_S12
WetBsp_R -> BsR_S12

BaC_A11 -> Bap_R_3W
BaL_A11 -> Bap_G_3W
Ba0_A11 -> Bap_G
BaS_A11 -> Bap_B_3W
BbsB_S11 -> RefBbsp_B
BbsB_S12 -> WetBbsp_B
BbsG_S11 -> RefBbsp_G
BbsG_S12 -> WetBbsp_G
BbsR_S11 -> RefBbsp_R
BbsR_S12 -> WetBbsp_R
BsB_S11 -> RefBsp_B
BsB_S12 -> WetBsp_B
BsG_S11 -> RefBsp_G
BsG_S12 -> WetBsp_G
BsR_S11 -> RefBsp_R
BsR_S12 -> WetBsp_R
F_aer -> Flags
N2_N11 -> CN_ambient
N_N61 -> CN_control
P_S11 -> P_refNeph
P_S12 -> P_wetNeph
Pd_P01 -> dp_Pitot_hPa
Pd_P11 -> dP_neph_imp_hPa
Pd_P12 -> dP_spare2
Q_Q11 -> Q_analyzer_lpm
Q_Q61 -> Q_CNdrier_lpm
Q_Q63 -> Q_CN_lpm
T_S11 -> T_refNeph
T_S12 -> T_wetNeph
T_V11 -> T_Inlet
T_V12 -> T_S1
T_V13 -> T_S2
T_X1 -> T_uMAC_degC
Tu_S11 -> T_refInlet
Tu_S12 -> T_wetInlet
U_S11 -> RH_refNeph
U_S12 -> RH_wetNeph
U_V11 -> RH_Inlet
U_V12 -> RH_S1
U_V13 -> RH_S2
Uu_S11 -> RH_refInlet
Uu_S12 -> RH_wetInlet
V_X1 -> V_uMAC_V