


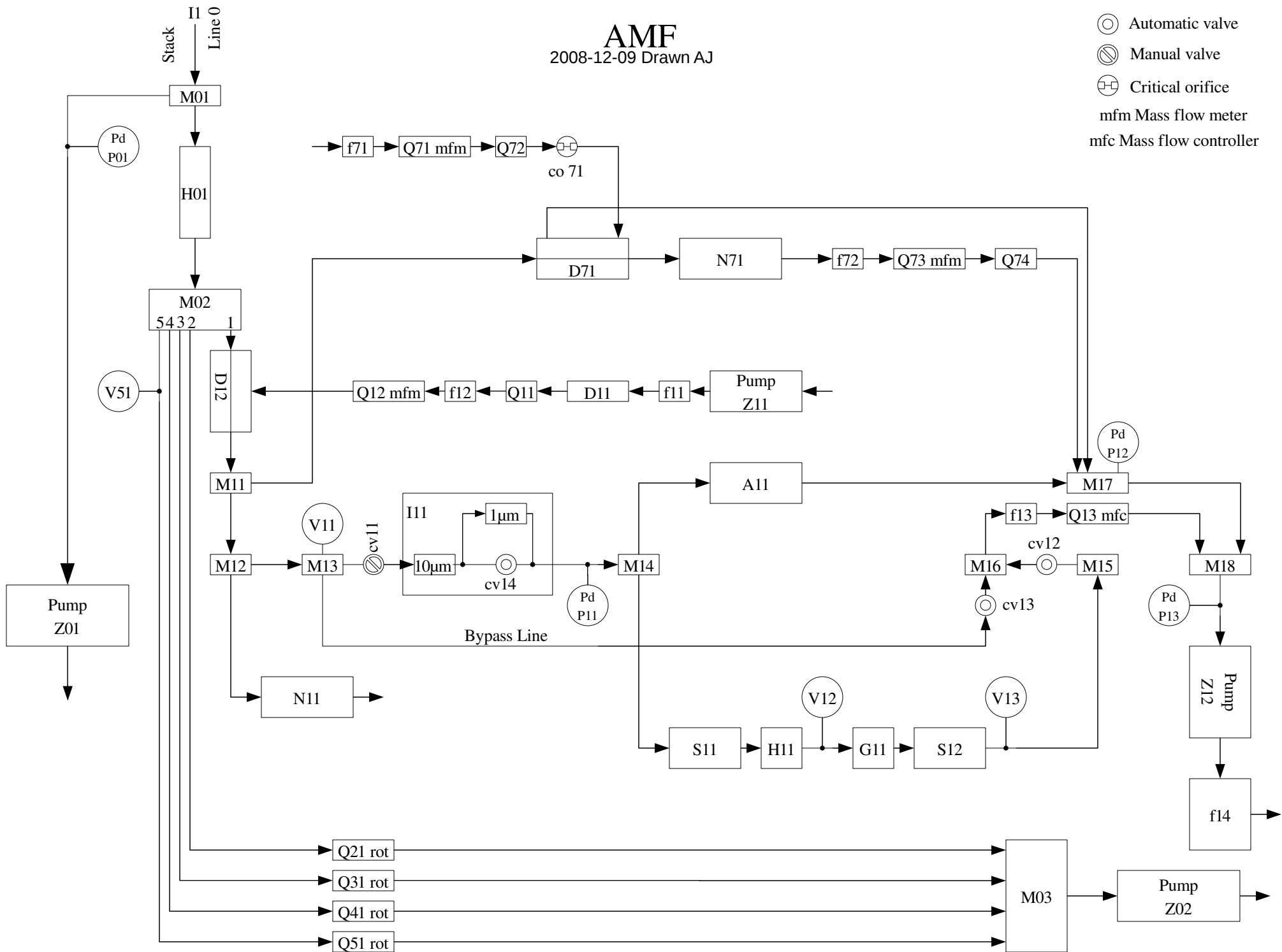


-  Automatic valve
-  Manual valve
-  Critical orifice
- mfm Mass flow meter
- mfc Mass flow controller



Bap_B_3W	->	BaS_A11	BaC_A11	->	Bap_R_3W
Bap_G	->	BaO_A11	BaL_A11	->	Bap_G_3W
Bap_G_3W	->	BaL_A11	BaO_A11	->	Bap_G
Bap_R_3W	->	BaC_A11	BaS_A11	->	Bap_B_3W
CN_ambient	->	N2_N11	BbsB_S11	->	RefBbsp_B
CN_control	->	N_N71	BbsB_S12	->	WetBbsp_B
dP_neph_imp_hPa	->	Pd_P11	BbsG_S11	->	RefBbsp_G
dp_Pitot_hPa	->	Pd_P01	BbsG_S12	->	WetBbsp_G
dP_spare2	->	Pd_P12	BbsR_S11	->	RefBbsp_R
Flags	->	F_aer	BbsR_S12	->	WetBbsp_R
P_refNeph	->	P_S11	BsB_S11	->	RefBsp_B
P_wetNeph	->	P_S12	BsB_S12	->	WetBsp_B
Q_3_lpm	->	Q_Q12	BsG_S11	->	RefBsp_G
Q_analyzer_lpm	->	Q_Q13	BsG_S12	->	WetBsp_G
Q_CN_lpm	->	Q_Q73	BsR_S11	->	RefBsp_R
Q_CNdrier_lpm	->	Q_Q71	BsR_S12	->	WetBsp_R
RefBbsp_B	->	BbsB_S11	F_aer	->	Flags
RefBbsp_G	->	BbsG_S11	N2_N11	->	CN_ambient
RefBbsp_R	->	BbsR_S11	N_N71	->	CN_control
RefBsp_B	->	BsB_S11	P_S11	->	P_refNeph
RefBsp_G	->	BsG_S11	P_S12	->	P_wetNeph
RefBsp_R	->	BsR_S11	Pd_P01	->	dp_Pitot_hPa
RH_refInlet	->	Uu_S11	Pd_P11	->	dP_neph_imp_hPa
RH_refNeph	->	U_S11	Pd_P12	->	dP_spare2
RH_S1	->	U_V12	Q_Q12	->	Q_3_lpm
RH_S2	->	U_V13	Q_Q13	->	Q_analyzer_lpm
RH_sample	->	U_V11	Q_Q71	->	Q_CNdrier_lpm
RH_wetInlet	->	Uu_S12	Q_Q73	->	Q_CN_lpm
RH_wetNeph	->	U_S12	T_S11	->	T_refNeph
T_refInlet	->	Tu_S11	T_S12	->	T_wetNeph
T_refNeph	->	T_S11	T_V11	->	T_sample_degC
T_S1	->	T_V12	T_V12	->	T_S1
T_S2	->	T_V13	T_V13	->	T_S2
T_sample_degC	->	T_V11	T_X1	->	T_uMAC_degC
T_uMAC_degC	->	T_X1	Tu_S11	->	T_refInlet
T_wetInlet	->	Tu_S12	Tu_S12	->	T_wetInlet
T_wetNeph	->	T_S12	U_S11	->	RH_refNeph
V_uMAC_V	->	V_X1	U_S12	->	RH_wetNeph
WetBbsp_B	->	BbsB_S12	U_V11	->	RH_sample
WetBbsp_G	->	BbsG_S12	U_V12	->	RH_S1
WetBbsp_R	->	BbsR_S12	U_V13	->	RH_S2
WetBsp_B	->	BsB_S12	Uu_S11	->	RH_refInlet
WetBsp_G	->	BsG_S12	Uu_S12	->	RH_wetInlet
WetBsp_R	->	BsR_S12	V_X1	->	V_uMAC_V