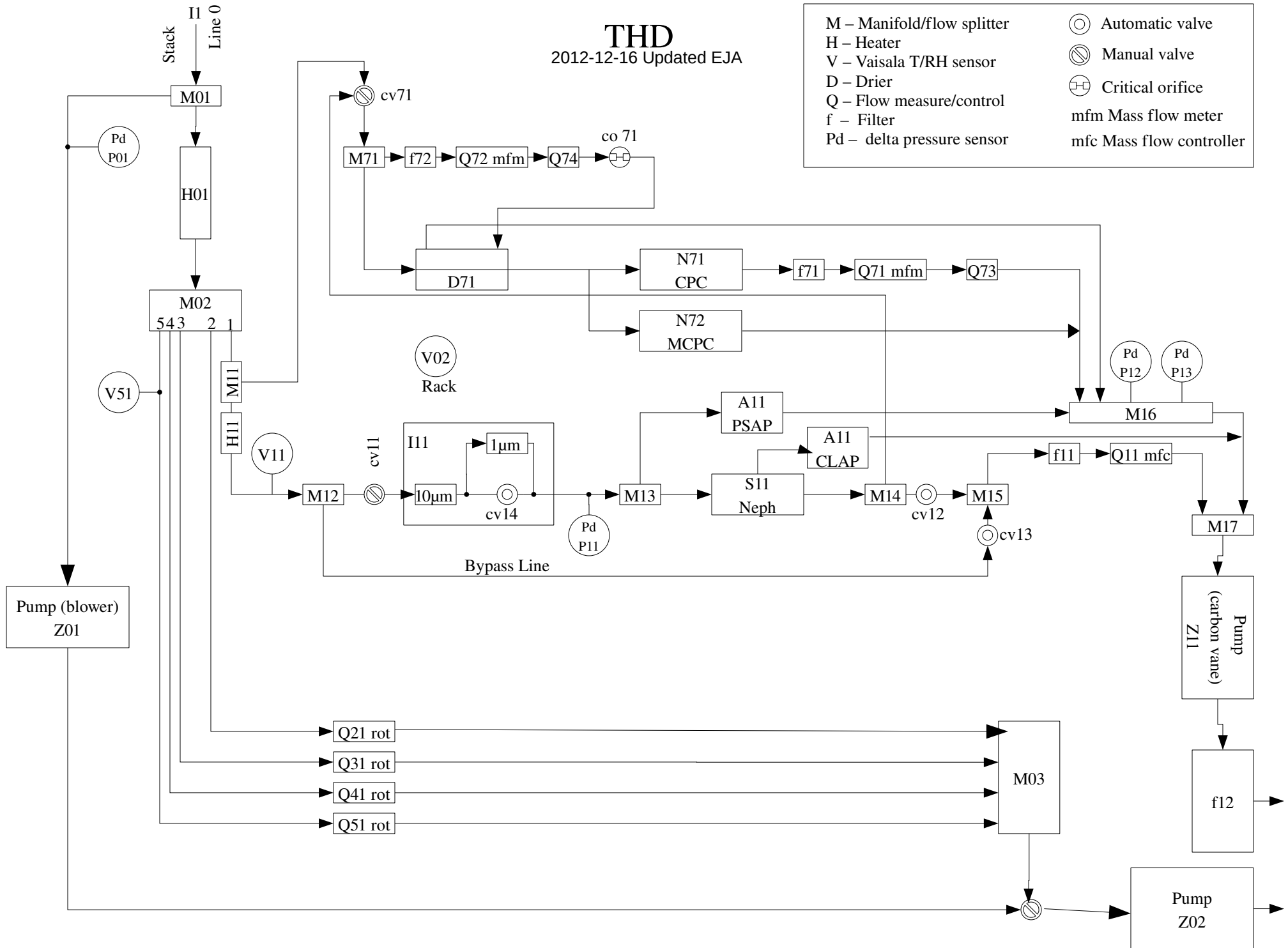


THD
2012-12-16 Updated EJA



Bap_B_3W -> BaS_A11 (PSAP)
 Bap_G -> BaO_A11 (PSAP adj to 550nm))
 Bap_G_3W -> BaL_A11 (PSAP)
 Bap_R_3W -> BaC_A11 (PSAP)
 CLAP_BapB -> BaB_A12
 CLAP_BapG -> BaG_A12
 CLAP_BapR -> BaR_A12
 RefBbsp_B -> BbsB_S11
 RefBbsp_G -> BbsG_S11
 RefBbsp_R -> BbsR_S11
 RefBsp_B -> BsB_S11
 RefBsp_G -> BsG_S11
 RefBsp_R -> BsR_S11
 CN_control -> N_N71
 P_refNeph -> P_S11
 dp_Pitot_hPa -> Pd_P01
 dP_neph_imp_hPa -> Pd_P11
 dP_spare2 -> Pd_P12 (system vacuum)
 Flags -> F_aer
 Q_analyzer_lpm -> Q_Q11
 Q_CN_lpm -> Q_Q71
 Q_CNdrier_lpm -> Q_Q72
 T_Inlet -> T_V11
 T_rack -> T_V02
 T_refInlet -> Tu_S11
 T_refNeph -> T_S11
 T_stack_degC -> T_V51
 T_uMAC_degC -> T_X1
 RH_Inlet -> U_V11
 RH_Rack -> U_V02
 RH_refInlet -> Uu_S11
 RH_refNeph -> U_S11
 V_uMAC_V -> V_X1
 WD -> Wd_X3
 WS -> Ws_X3

BaS_A11 -> Bap_B_3W (PSAP)
 BaO_A11 -> Bap_G (PSAP, 550 nm)
 BaL_A11 -> Bap_G_3W (PSAP)
 BaC_A11 -> Bap_R_3W (PSAP)
 BaB_A12 -> CLAP_BapB
 BaG_A12 -> CLAP_BapG
 BaR_A12 -> CLAP_BapR
 BbsB_S11 -> RefBbsp_B
 BbsG_S11 -> RefBbsp_G
 BbsR_S11 -> RefBbsp_R
 BsB_S11 -> RefBsp_B
 BsG_S11 -> RefBsp_G
 BsR_S11 -> RefBsp_R
 N_N71 -> CN_concentration (TSI 3760)
 N_N72 -> CN_concentration (MCPC)
 P_S11 -> P_refNeph
 Pd_P01 -> dp_Pitot_hPa
 Pd_P11 -> dP_neph_imp_hPa
 Pd_P12 -> dP_spare2 (system vacuum)
 F_aer -> Flags
 Q_Q11 -> Q_analyzer_lpm
 Q_Q71 -> Q_CN_lpm
 Q_Q72 -> Q_CNdrier_lpm
 T_S11 -> T_refNeph
 T_V02 -> T_rack
 T_V11 -> T_Inlet
 T_V51 -> T_stack_degC
 T_X1 -> T_uMAC_degC
 Tu_S11 -> T_refInlet
 U_S11 -> RH_refNeph
 U_V02 -> RH_rack
 U_V11 -> RH_Inlet
 Uu_S11 -> RH_refInlet
 V_X1 -> V_uMAC_V
 Wd_X3 -> WD
 Ws_X3 -> WS